

Air Preparation Unit

A Series



A Series

AIR PREPARATION UNIT

Port Size: 1/4", 3/8", 1/2"

Technical Specifications			
Connection Thread	1/4", 3/8", 1/2"	Filter, Filtration Level	5µm, 40µm
Compressed Air Quality	General Quality Dry Air	Max. Operating Pressure(MPa)	1
Drain Cock	Manual / Automatic Differential Pressure Type	Pressure Gauge	With Standard Pressure Gauge
Ambient Temperature Rangel(°C)	-5~ 70	Water Filter Cup Capacity(cc)	15cc, 60cc
Oil Spray Cup Capacity(cc)	25cc, 90cc	Pressure Regulation Range	0.15~0.9M Pa/20~130Psi
Thread Type	G	Max. Operating Pressure	145Psi
Withstanding Pressure	1.5MPa/215Psi	Recommended Operating Oil	ISO VG32 Equivalent Oil
Note		Weight(g)	Weight as per Model (See Model Details.)

2 Piece FRL Unit



3 Piece FRL Unit



Combine FR Unit



Pressure Regulator



A Series Air Preparation Unit

KATIX

How to Order

Series A - 1 C 02 - [] - [] - []

Body Size

1	Mini (No Protection Cover)
2	Maxi (Metal Protection Cover)

* Mini Size Available in Only Port Size 1/4

Port size

02	1/4"
03	3/8"
04	1/2"

* Port Size 1/4 Available in Both Mini & Maxi Size

Drain Type

Nil	Manual Drain
D	Auto Drain

Type

FC	2 Pc FRL Unit
C	3 Pc FRL Unit
FR	Combined FR Unit
F	Filter Unit
R	Pressure Regulator
L	Lubricator Unit

Filtration Accuracy

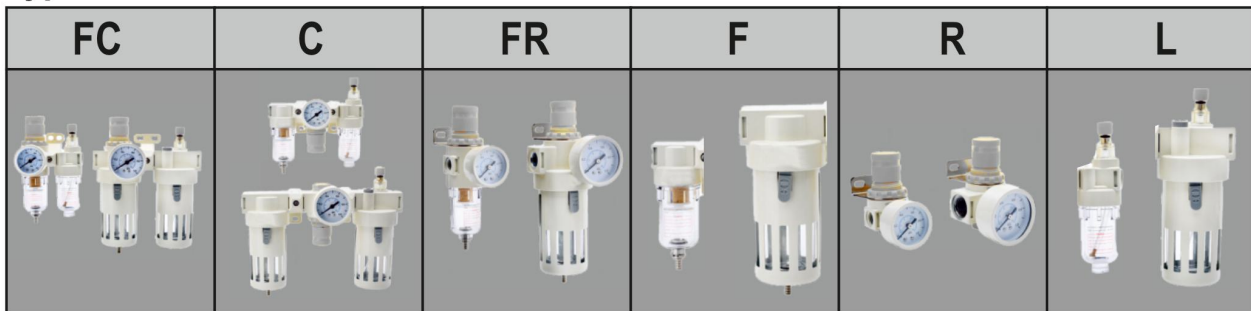
Nil	40 µm
A	5 µm

Gauge Unit

Nil	Bar / Psi
M	MPa
K	Kg/cm ²

Capacity	Body Size 1	Body Size 2
Water Filter Cup Capacity(cc)	15cc	60cc
Oil Spray Cup Capacity(cc)	25cc	90cc

Type



Order Code for Pressure Gauge

Series A - G 02 - []

Type

G	Pressure Gauge
---	----------------

Note

Gauge Unit

Nil	Bar / Psi
M	MPa
K	Kg/cm ²

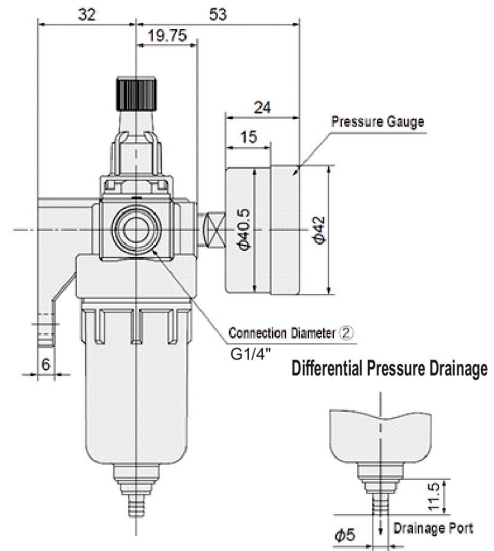
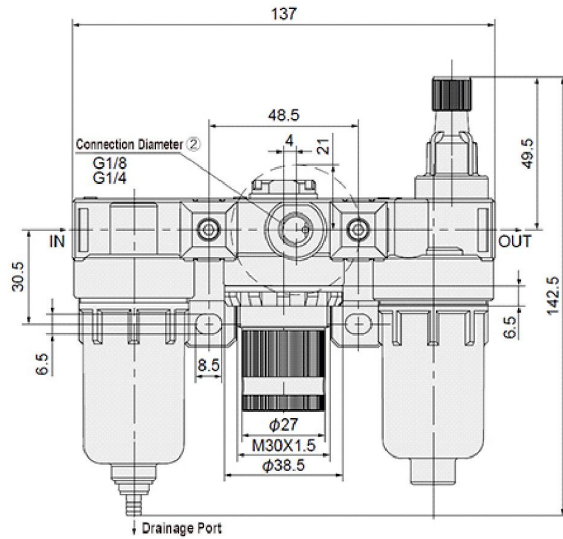
Port Size/Body Size

01	1/8" (Dial Size-ø40 mm)
02	1/4" (Dial Size-ø50 mm)

Dimensions of 3 Pc FRL Unit

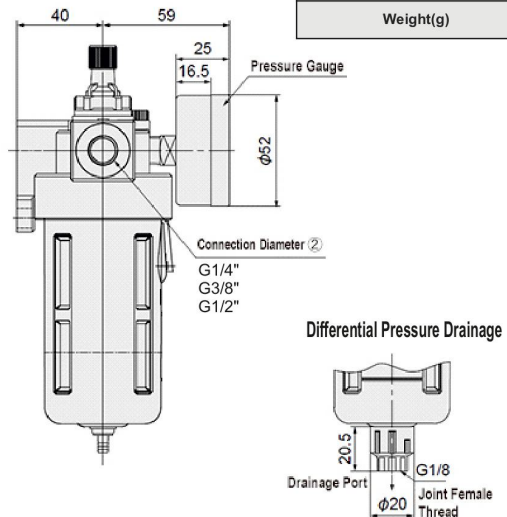
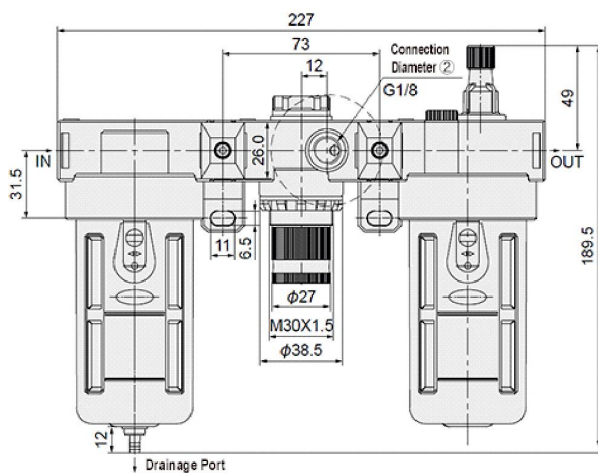
Body Size 1(Mini)

Water Filter Cup Capacity(cc)	15cc
Oil Spray Cup Capacity(cc)	25cc
Weight(g)	473



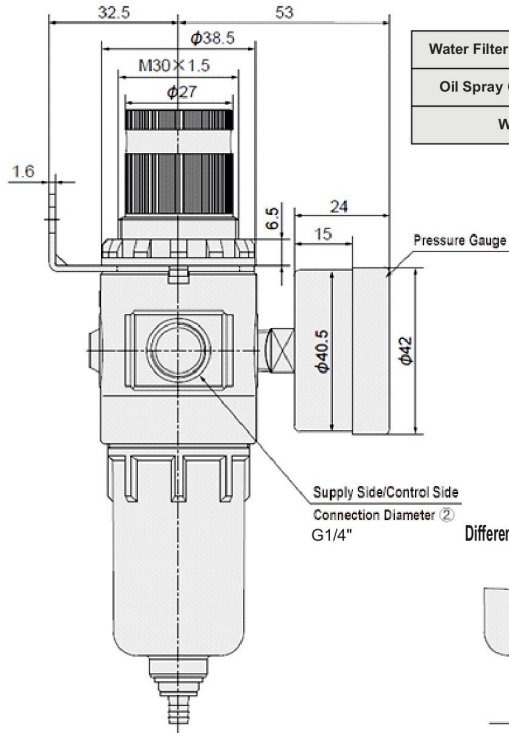
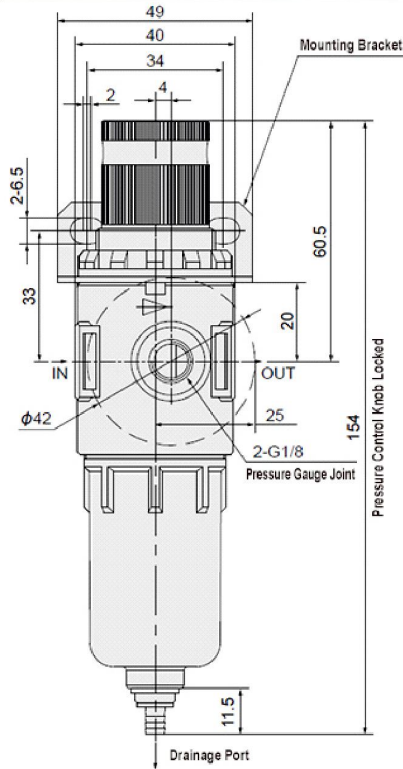
Body Size 2(Maxi)

Water Filter Cup Capacity(cc)	60cc
Oil Spray Cup Capacity(cc)	90cc
Weight(g)	1137

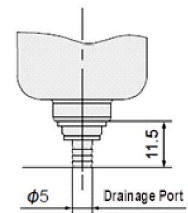


Dimensions of Combined FR Unit

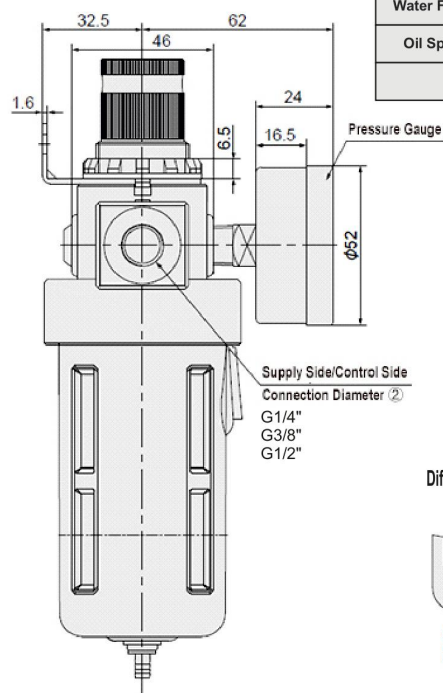
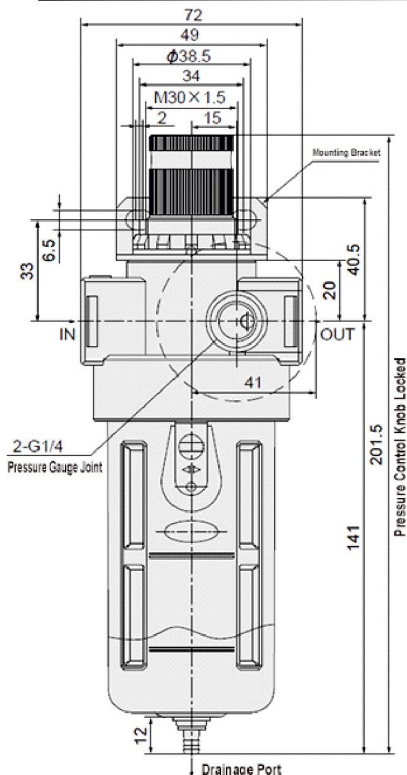
Body Size 1(Mini)



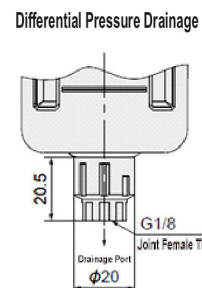
Water Filter Cup Capacity(cc)	15cc
Oil Spray Cup Capacity(cc)	25cc
Weight(g)	297



Body Size 2(Maxi)



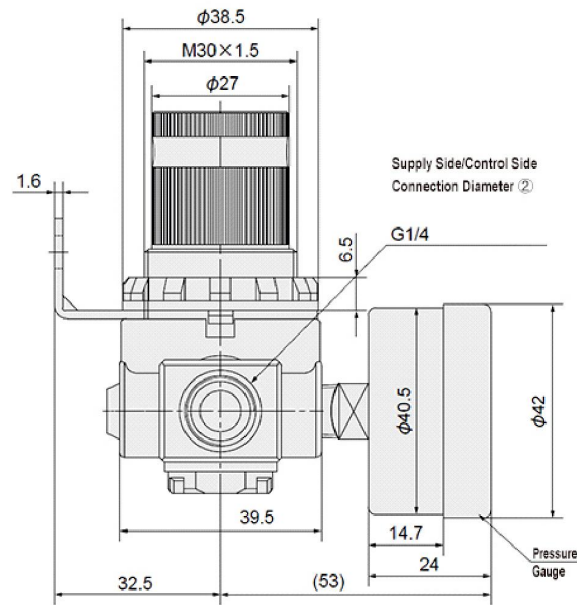
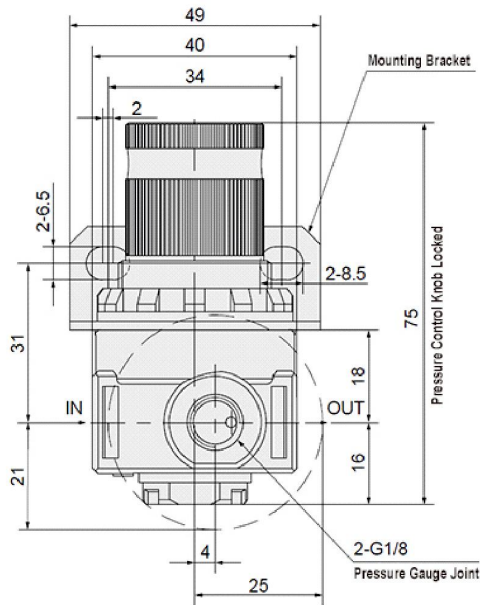
Water Filter Cup Capacity(cc)	60cc
Oil Spray Cup Capacity(cc)	90cc
Weight(g)	576



Dimensions of Pressure Regulator

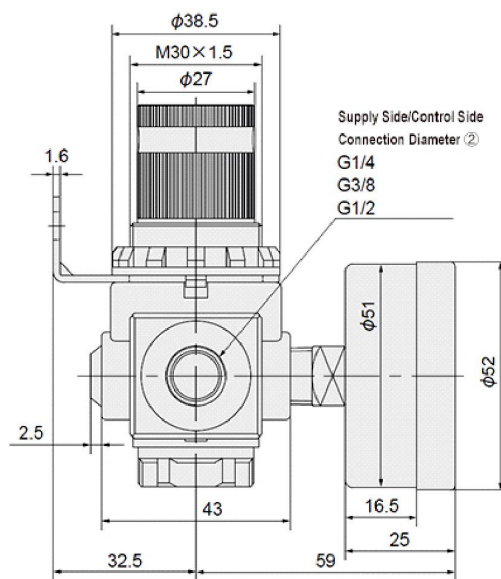
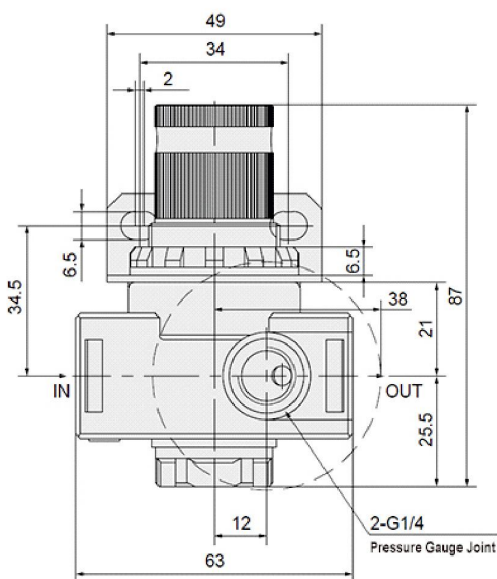
Body Size 1(Mini)

Thread Size	1/4"
Weight(g)	221



Body Size 2(Maxi)

Thread Size	1/4", 3/8", 1/2"
Weight(g)	337





Contact us for more details

+91 9053-888-011

www.katixpneumatic.com

KATIX[®]

KATIX PNEUMATIC INDIA PVT. LTD.

Plot No.- 54, Sector - 9, HSIIDC

IMT Bawal, Haryana - 123501, India

T: +91 9053-888-011

E: info@katix.in