

Check Valve ASV Series



ASV Series

Speed Exhaust Controller

Standard : JIS

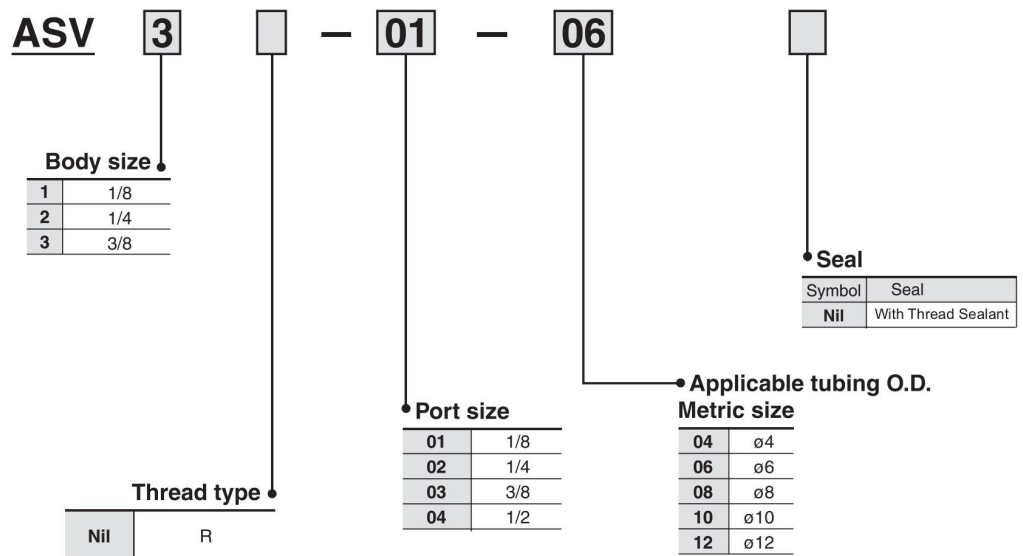
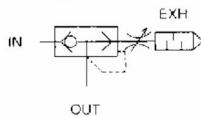
Size : 1/8", 1/4", 3/8", 1/2"

How to Order



Speed exhaust controller
With One-touch fitting

JIS Symbol



Integration of a quick exhaust valve and an exhaust restrictor permits high-speed cylinder operation.

- The effective area is two times larger. (In comparison with control by speed controller)
Applicable model: ASV3, ASV4, ASV5
- Silencer and One-touch fittings are installed.
- Flame resistant resin body as standard. (UL standard V-0)
Applicable model: ASV3, ASV4, ASV5
- Brass parts are all electroless nickel plated.

Model

Model	Port size	Applicable tubing O.D. (mm)										Effective area (mm ²)	
		4	6	8	10	12	5/32"	1/4"	5/16"	3/8"	1/2"	IN → OUT	OUT → EXH.
ASV3-01	R 1/8		●	●								7	8
ASV3-02	R 1/4		●	●								7	8
ASV4-01	R 1/8			●	●							13.5	14
ASV4-02	R 1/4			●	●							13.5	14
ASV4-03	R 3/8			●	●							13.5	14
ASV5-02	R 1/4				●	●						23	27
ASV5-03	R 3/8				●	●						27	29
ASV5-04	R 1/2				●	●						27	29

Specifications

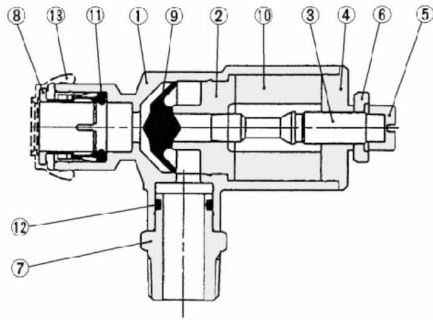
Series	ASV3/4	ASV5
Fluid	Air	
Proof pressure	1.5 MPa	
Max. operating pressure	1 MPa	
Min. operating pressure	0.1 MPa	
Ambient and fluid temperature		
Number of needle rotations	12 turns	15 turns
Applicable tubing material	Nylon, Soft nylon, Polyurethane	

ASV Series Speed Exhaust Controller

KATIX

Construction

ASV3/4/5



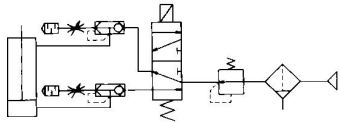
Component Parts

No.	Description	Material	Note
①	Body A	PBT	UL94V-0
②	Seat ring	Aluminum alloy	Chromate plated
③	Needle	Aluminum alloy	Electroless nickel plated
④	Needle guide	Aluminum alloy	Electroless nickel plated
⑤	Handle	Brass	Electroless nickel plated
⑥	Lock nut	Brass ^{Note)}	Electroless nickel plated
⑦	Needle guide	Brass	Electroless nickel plated
⑧	Cassette	PBT, Stainless steel	
⑨	Valve	Urethane rubber	
⑩	Silencer	PVA sponge	
⑪	Seal	NBR	
⑫	O-ring	NBR	
⑬	Cover	Flame proof CR	UL94V-0

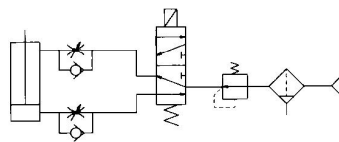
Note) ASV3, ASV4 types are made of steel.

Circuit

Circuit of speed exhaust controller



Controlled by speed controller

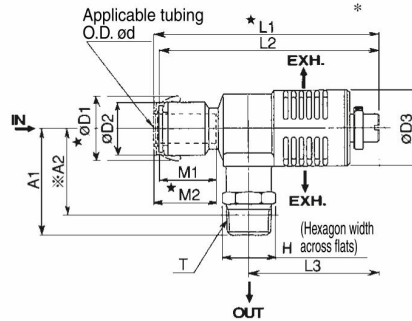


ASV Series Speed Exhaust Controller

KATIX

Dimensions

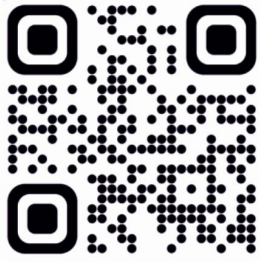
ASV3/4/5



Metric Size

Model	Applicable tubing O.D. d	T	H	D1	D2	D3	L1 *		L2		L3		A1	A2 *	M1	M2 *	Weight (g)
							Max.	Min.	Max.	Min.	Max.	Min.					
ASV3-01-06	6	R 1/8	10	16.8	12.8	17.6	71.9	65.9	69.9	63.9	45.8	39.8	27.4	23.4	17	19	22
ASV3-01-08	8			19.3	15.2		73.8	67.8	71.8	65.8					19	21	23
ASV3-02-06	6	R 1/4	14	16.8	12.8	17.6	71.9	65.9	69.9	63.9	45.8	39.8	31.4	25.4	17	19	30
ASV3-02-08	8			19.3	15.2		73.8	67.8	71.8	65.8					19	21	31
ASV4-01-08	8	R 1/8	12	19.3	15.2	24	83.1	75.6	81.1	73.6	52.8	45.3	30.7	26.7	19	21	39
ASV4-01-10	10			23.3	18.5		85.2	77.7	83.2	75.7					21	23	41
ASV4-02-08	8	R 1/4	14	19.3	15.2	24	83.1	75.6	81.1	73.6	52.8	45.3	34.7	28.7	19	21	47
ASV4-02-10	10			23.3	18.5		85.2	77.7	83.2	75.7					21	23	49
ASV4-03-08	8	R 3/8	17	19.3	15.2	24	83.1	75.6	81.1	73.6	52.8	45.3	36.7	30.4	19	21	61
ASV4-03-10	10			23.3	18.5		85.2	77.7	83.2	75.7					21	23	63
ASV5-02-10	10	R 1/4	17	23.3	18.5	30	90.2	84.2	88.2	82.2	55.6	49.6	39.8	33.8	21	23	69
ASV5-02-12	12			25.7	20.9		91.8	85.8	89.8	83.8					22	24	74
ASV5-03-10	10	R 3/8	17	23.3	18.5	30	90.2	84.2	88.2	82.2	55.6	49.6	41.8	35.5	21	23	73
ASV5-03-12	12			25.7	20.9		91.8	85.8	89.8	83.8					22	24	78
ASV5-04-10	10	R 1/2	22	23.3	18.5	30	90.2	84.2	88.2	82.2	55.6	49.6	45.8	37.6	21	23	95
ASV5-04-12	12			25.7	20.9		91.8	85.8	89.8	83.8					22	24	100

★ Dimension with cover * Reference dimension of "R" thread after installation.



Contact us for more details

+22 9053-888-011

www.katixpneumatic.com

KATIX[®]

KATIX PNEUMATIC INDIA PVT. LTD.

Plot No.- 198, Sector - 9, HSIIDC
IMT Bawal, Haryana - 123501, India

T: +22 9053-888-011

E: info@katix.in