

# Flow Control Valve GE Series



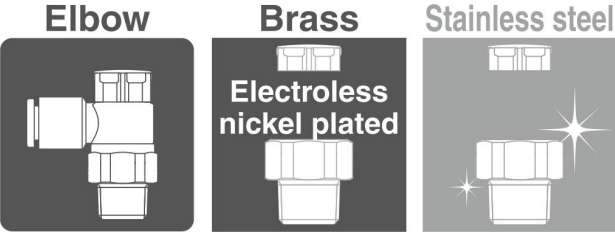
# GE Series

## Flow Control Valve With One Touch Fitting

Port Size: M3 to 1/2"

Compatible Tubing: 2, 3.2, 4, 6, 8, 10, 12, 16mm

### PUSH - LOCK TYPE

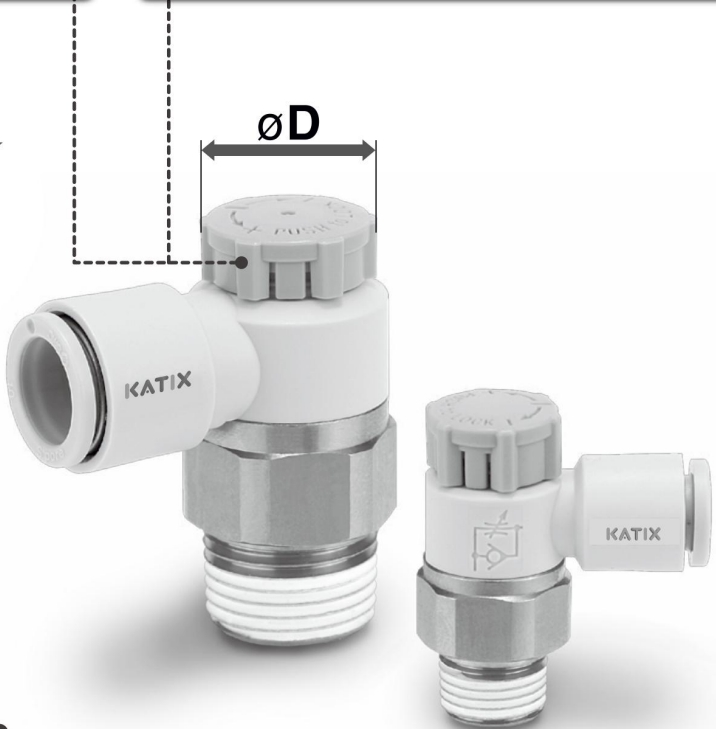
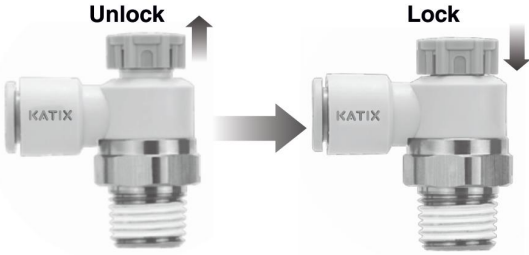


Easy to use

Push-lock type

Larger knob

- Easy to lock











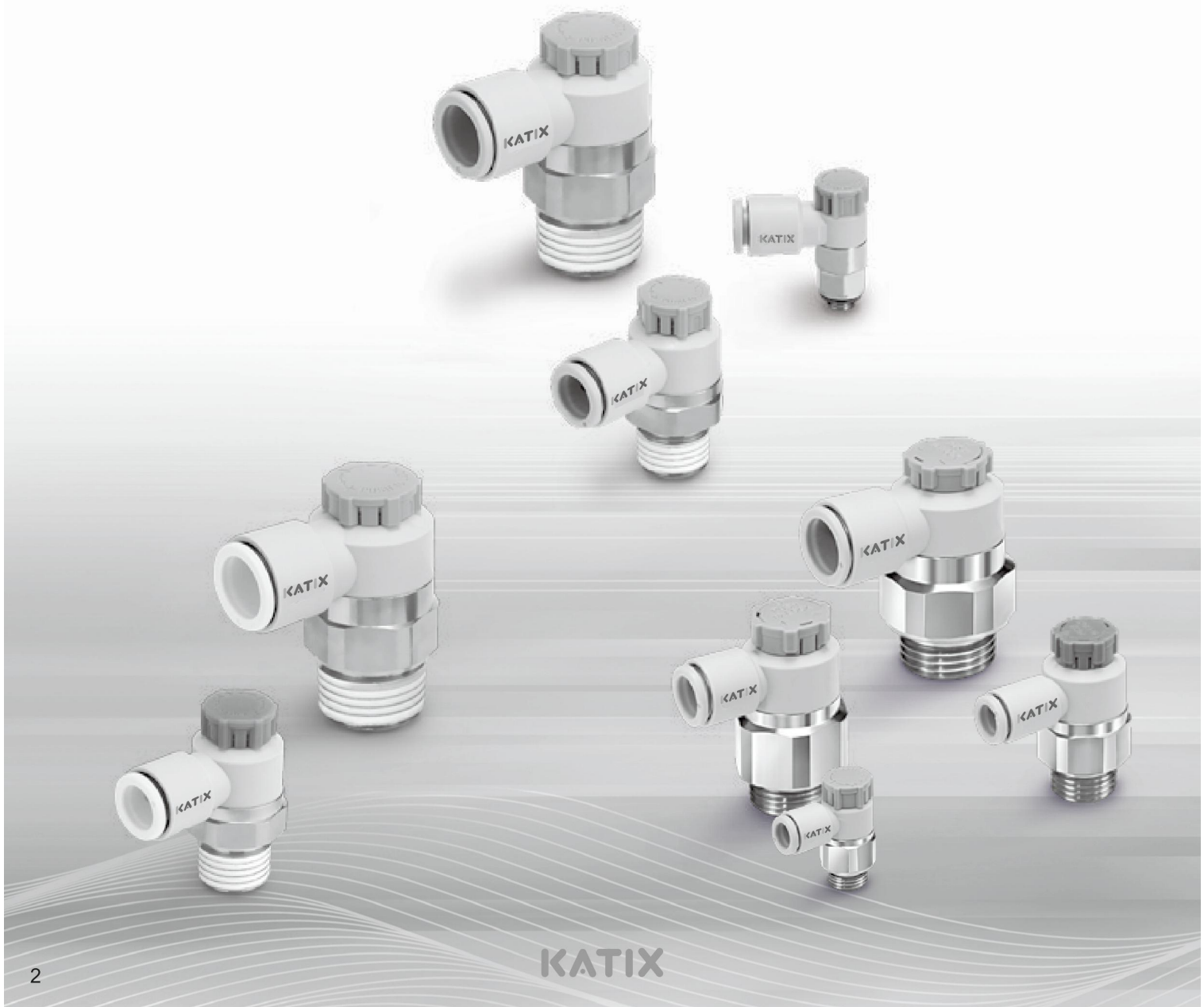
Easy tube insertion/removal

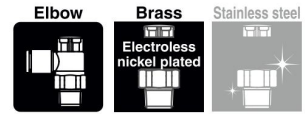


Thread Size	ØD [mm]
M3, M5	9.4
1/8, 1/4	12 (Port size 1/8)
	13 (Port size 1/4)
3/8	16.6
1/2	18.8

## Easy identification of product type

Series	Release button color		
	Meter-out	Meter-in	Metric
<b>Brass</b> 	<b>Gray</b> 	<b>Light blue</b> 	<b>Light gray</b> 
<b>Stainless steel</b> 	<b>Gray</b> 	<b>Light blue</b> 	<b>White</b> 





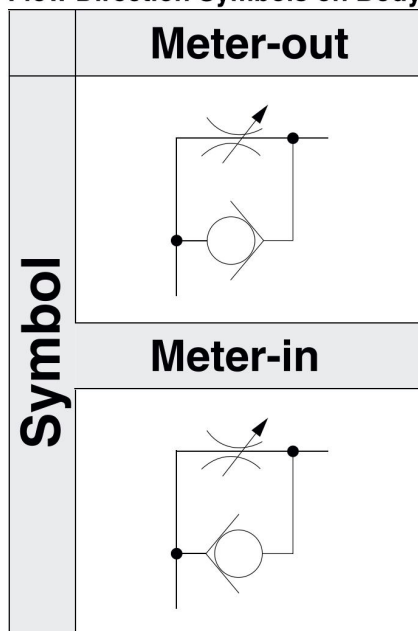
### Model

### Selection of Compatible Tubing O.D. with respect to thread

Model	Port size	Seal method	Applicable tubing O.D.										
			Metric size										
			2	3.2	4	6	8	10	12	16			
ELBOW TYPE	M3 x 0.5	Gasket seal	●	●	●	●							
	M5 x 0.8		●	●	●	●							
	R NPT	1/8	Sealant			●	●	●	●				
		1/4				●	●	●	●	●			
		3/8					●	●	●	●	●	●	
1/2					●	●	●	●	●	●			

### Specifications

#### Flow Direction Symbols on Body



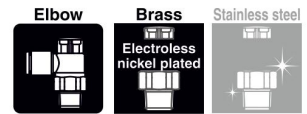
Fluid	Air
Proof pressure	1.5 MPa
Max. operating pressure	1 MPa
Min. operating pressure	0.1 MPa
Ambient and fluid temperature	-5 to 60°C (No freezing)
Applicable tubing material	Nylon, Soft nylon, Polyurethane <sup>Note)</sup> , FEP, PFA

Note) Use caution at the max. operating pressure when using soft nylon or polyurethane tubing.

### Flow Rate and Sonic Conductance

Model		M3, M5		1/8		1/4			3/8			1/2	
Tubing O.D.	Metric size	ø2	ø3.2 ø4 ø6	ø4	ø6 ø8 ø10	ø4	ø6	ø8 ø10	ø6	ø8	ø10 ø12	ø10	ø12 ø16
C values: Sonic conductance dm <sup>3</sup> /(s·bar)	Free flow	0.2	0.3	0.6	0.6	1.0	1.3	1.5	1.6	1.7	2.5	4.4	4.8
	Controlled flow	0.2	0.3	0.7	0.8	0.9	1.3		2.1	2.4	3.3	4.4	4.9
b values: Critical pressure ratio	Free flow	0.3	0.4	0.2	0.3	0.3	0.4		0.4		0.3	0.3	
	Controlled flow	0.2		0.2	0.3	0.3			0.3			0.3	

Note 1) C and b values are for controlled flow with the needle fully open and free flow with the needle fully closed.



## How to Order



### Flow Control (Elbow Type)

**G** **E** - **A** - **01** - **06**

**Type**

E	Elbow
---	-------

**Control type** Note)

A	Meter-out
B	Meter-in

Note) Meter-out and meter-in types can be visually identified by color of the knob.  
 Meter-out: Gray  
 Meter-in: Light blue

**Thread type**

Nil	R
N	NPT

**Material**

Nil	Brass With Electroless Nickel Plating
K	Stainless Steel

**Seal method**

Nil	With sealant
-----	--------------

**Compatible tubing O.D.** Note 1)

**Metric size**

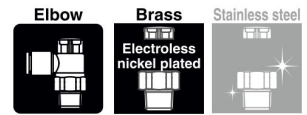
32	ø3.2
04	ø4
06	ø6
08	ø8
10	ø10
12	ø12
16	ø16

Note 1) For Selecting Compatible tubing O.D., refer to the below table.

Thread	Tube Size Available
M3	2, 3.2, 4, 6
M5	2, 3.2, 4, 6
01	4, 6, 8, 10
02	4, 6, 8, 10, 12
03	6, 8, 10, 12, 16
04	10, 12, 16

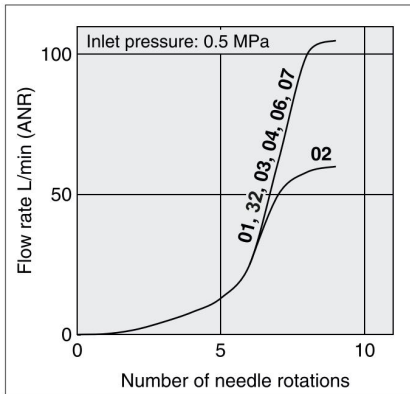
**Port size**

M3	M3 x 0.5
M5	M5 x 0.8
01	1/8
02	1/4
03	3/8
04	1/2



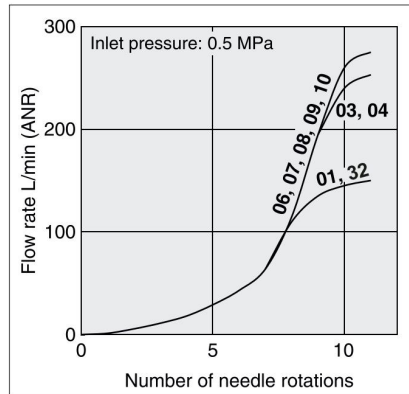
## Needle Valve/Flow Rate Characteristics

### Thread Size M3, M5

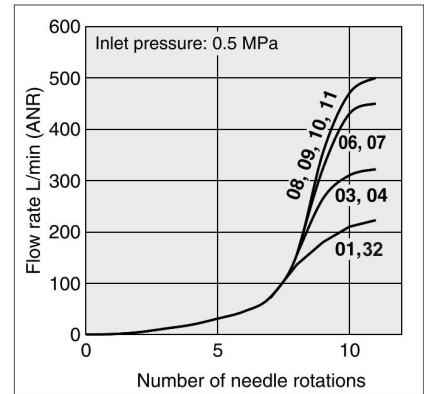


Note) -U10/32 has the same specification as M5.

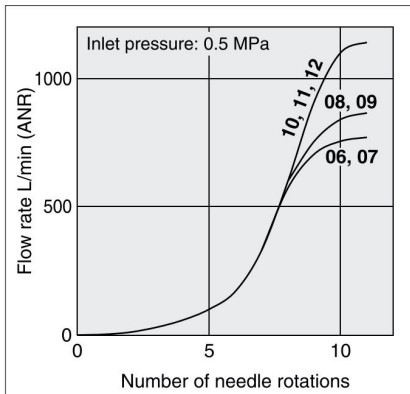
### Thread Size 1/8



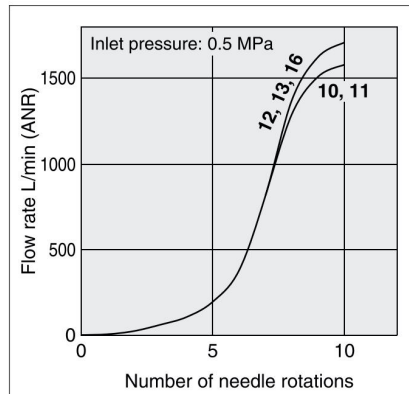
### Thread Size 1/4



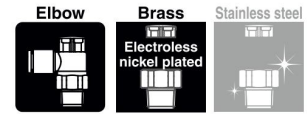
### Thread Size 3/8



### Thread Size 1/2



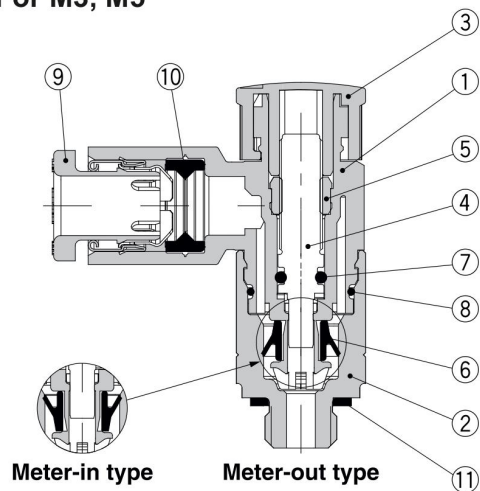
Note) The numbers above the flow rate characteristic curves in the charts show the applicable tubing outside diameter as defined by the product number.



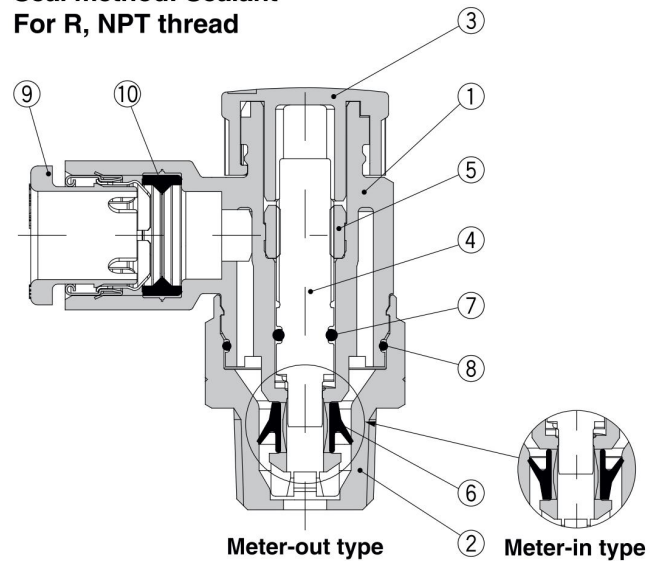
### Construction

#### Elbow type

Seal method: Gasket seal  
For M3, M5



Seal method: Sealant  
For R, NPT thread



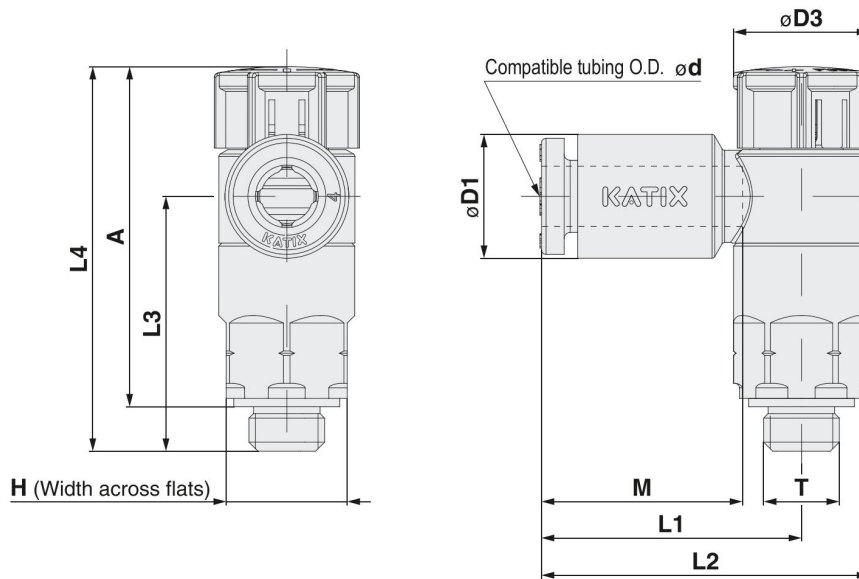
### Component Parts

No.	Description	Material	Note
1	Body A	PBT	
2	Body B	Brass/SS	Electroless Nickel Plating /SS
3	Knob	POM	
4	Needle	PBT	
5	Needle guide	Brass/SS	Electroless Nickel Plating /SS
6	U-seal	HNBR	
7	O-ring	NBR	
8	O-ring	NBR	
9	Cassette	—	
10	Seal	NBR	
11	Gasket	NBR/Stainless steel	

## Flow Control Valve With One Touch Fittings

### Dimensions/ Elbow type

Seal method: Gasket seal  
For M3, M5



### Metric Size

Model	d	T	H	D1	D3	L1	L2	L3	L4 <sup>Note 2)</sup>		A <sup>Note 3)</sup>		M	Weight [g]	
									Unlocked	Locked	Unlocked	Locked			
GE-A-M3-02	2	M3 x 0.5	9	5.8	9.4	15.8	20.3	16.9	26.5	25.4	23.5	22.4	11.9	5	
GE-A-M5-02		M5 x 0.8		7.2											
GE-A-M3-23	3.2	M3 x 0.5				7.2	17.2						21.7		13.3
GE-A-M5-23		M5 x 0.8													
GE-A-M3-04	4	M3 x 0.5		8.2		18.6	23.1						16.5		6
GE-A-M5-04		M5 x 0.8													
GE-A-M3-06	6	M3 x 0.5	10.4	18.6	23.1	16.5	6								
GE-A-M5-06		M5 x 0.8													

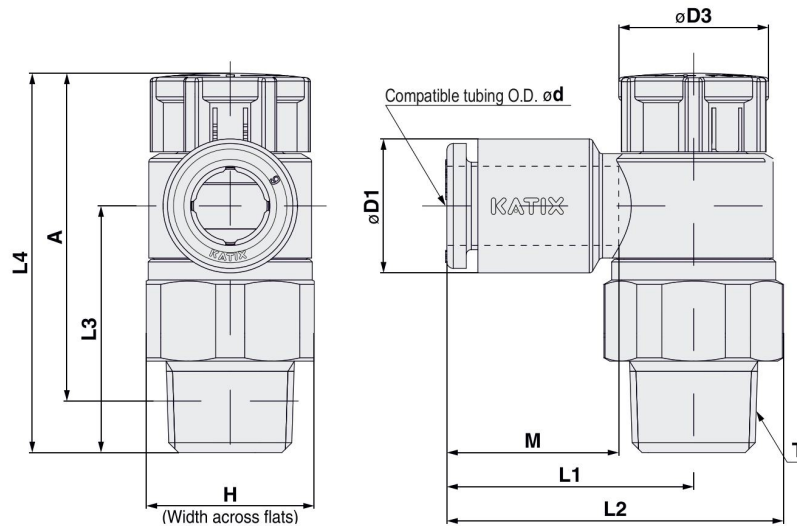
Note 1) Reference dimensions

Note 2) Reference dimensions of threads after installation

## Flow Control Valve With One Touch Fittings

### Dimensions/ Elbow type

Seal method: Sealant  
For R, NPT thread



### Metric Size

[mm]

Model	d	T	H	D1	D3	L1	L2	L3	L4 Note 1)		A Note 2)		M	Weight [g]	
									Unlocked	Locked	Unlocked	Locked			
GE-□-01-04	4	1/8	13 (12.7)	8.2	12	19.1	26.2	19.1	30.6	29.2	27.5	26.1	13.3	9 (9)	
GE-□-01-06	6			10.4										10 (9)	
GE-□-01-08	8			13.2										14.2	11 (10)
GE-□-01-10	10			15.9										15.6	12 (11)
GE-□-02-04	4	1/4	17 (17.5)	8.2	13	20.9	30.2 (30.3)	22.6	36.6	35	31.1	29.5	13.3	18 (19)	
GE-□-02-06	6			10.4		32.7 (32.8)	14.2							19 (20)	
GE-□-02-08	8			13.2		33.2 (33.3)	15.6							20 (21)	
GE-□-02-10	10			15.9		36.2 (36.3)	17							34 (35)	
GE-□-02-12	12			18.5		40	26.8								
GE-□-03-06	6	3/8	19	10.4	16.6	21.8	32.1	28.7	42.3	40.7	37.1	35.5	13.3	31 (32)	
GE-□-03-08	8			13.2		33	14.2								
GE-□-03-10	10			15.9		37	15.6							32 (33)	
GE-□-03-12	12			18.5		40	17							34 (35)	
GE-□-03-16	16			23.8		47.7 (47.6)	20.6							60 (59)	
GE-□-04-10	10			15.9		40.3 (40.2)	15.6							54 (53)	
GE-□-04-12	12	1/2	24 (23.8)	18.5	18.8	30.8	43.7 (43.6)	35.1	50.8	49.2	43.7	42.1	17	56 (55)	
GE-□-04-16	16			23.8		47.7 (47.6)	32.7							20.6	60 (59)

Note 1) Reference dimensions

Note 2) Reference dimensions of threads after installation

Note 3) The values in ( ) are for NPT thread.

Note 4) □ A-Meter Out, B- Meter IN



Contact us for more details

**+91 9053-888-011**

[www.katixpneumatic.com](http://www.katixpneumatic.com)

---

**KATIX<sup>®</sup>**

---

**KATIX PNEUMATIC INDIA PVT. LTD.**

Plot No.- 198, Sector - 9, HSIIDC  
IMT Bawal, Haryana - 123501, India

T: +91 9053-888-011

E: [info@katix.in](mailto:info@katix.in)