

# Directional Control Solenoid Valve KS Series



# KS Series

## KS Series Manifold Solenoid Valve

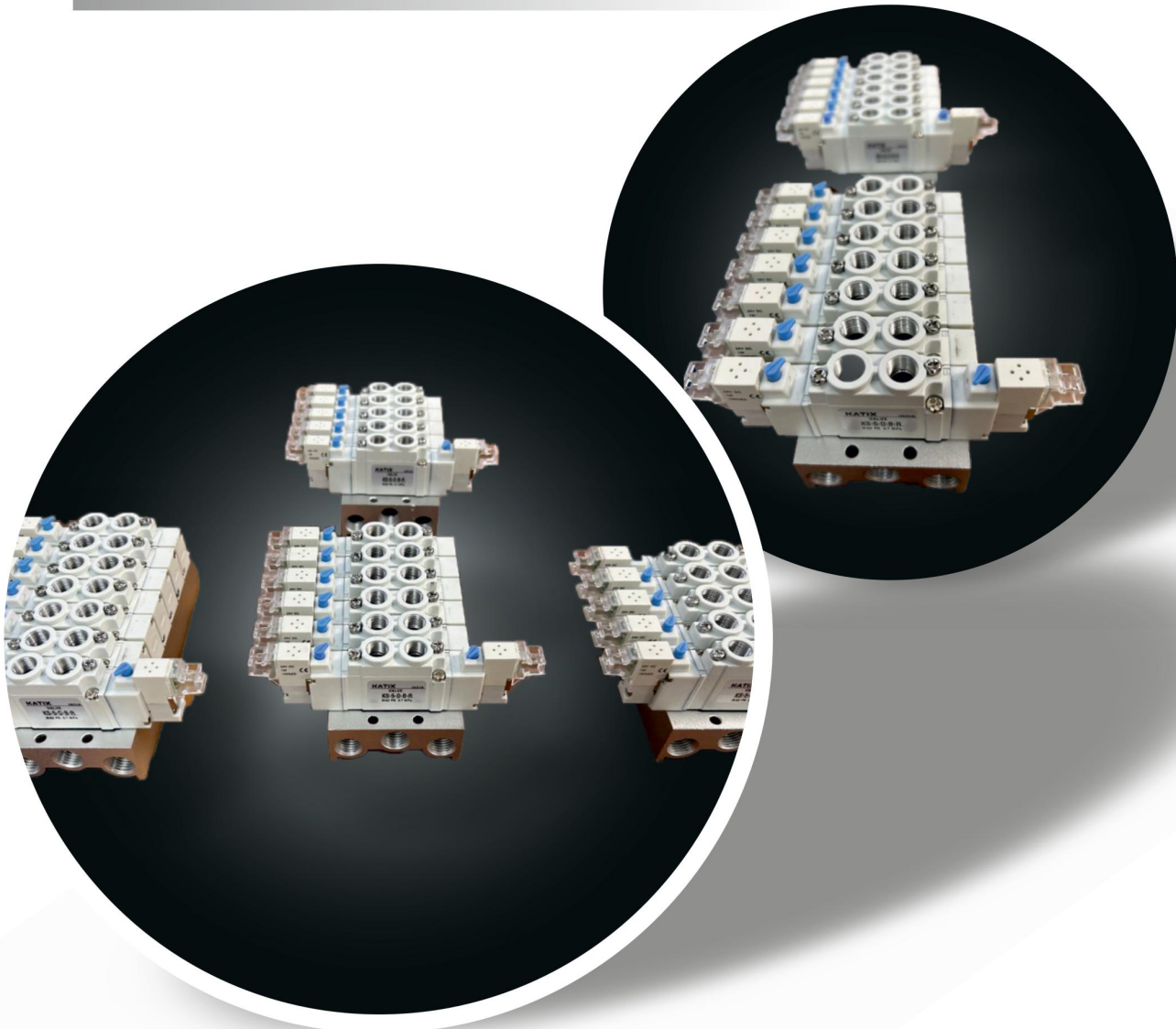
Combination Upto 20 Valve

Operating Voltage DC 24V, DC 12V

### Features:-

- Pilot structure, reliable quality
- High frequency and saving energy,  
1W Rated power
- Space-saving, integrated installation  
possible
- High-speed and stable responsiveness

Functional Replacement of SY3000/5000/7000 Series



## KS Series Manifold Solenoid Valve

### KS3 Series



### KS5 Series



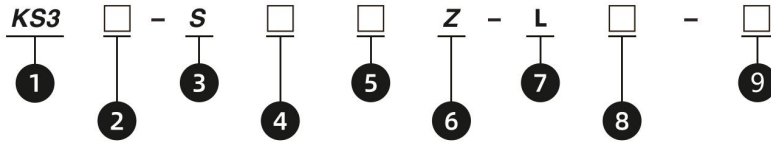
### KS7 Series



### SPECIFICATION

<b>Product series</b>		KS Series 5-Port Solenoid Valve (5/2, 5/3)		
<b>Model No.</b>		KS3 / KS5 / KS7		
<b>Product specifications</b>		3 Series	5 Series	7 Series
<b>Operating pressure range (MPa)</b>	5/2	0.15-0.7		
	5/3	0.2-0.7		
<b>Working Medium</b>		Compressed Air (filtered by 40µm filter screen)		
<b>Operating Temperature</b>		-5~50°C (not frozen)		
<b>Port Size</b>		Inlet=Outlet=Exhaust= M5	Inlet=Outlet=Exhaust= 1/8	Inlet=Outlet= 1/4
				Exhaust= 1/8
<b>Control Method</b>		Internal pilot		
<b>Pilot Exhaust Method</b>		External centralized exhaust		
<b>Max. Operating Frequency</b>	2 positions single electronic control	10	5	5
	2 positions double electronic control	10	5	5
	3 positions	3	3	3
<b>Manual Operation Mode</b>		Manual press-down slew-lock type		
<b>Connection Method</b>		Vertical / Parallel		
<b>Coil Rated Voltage</b>		DC 12/24V		
<b>Voltage Range</b>		Rated Voltage ± 10%		
<b>Power Consumption</b>	Standard	1W		
	With Power-saving Circuit	Starting power 0.8W / maintenance power 0.5W		
<b>Overcharge protection circuit</b>		Optional		
<b>Indicator Light</b>		Yes, with LED		
<b>Insulation Class</b>		F		

### How To Order



**1. Model Series**

- 3: **KS3**
- 5: **KS5**
- 7: **KS7**

**2. Connection Method**

**Blank:** Thread Type

**3. Switching Mode**

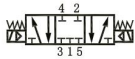
**S:** 5/2 Single Coil      **E:** 5/3 Double coil center exhaust type



**D:** 5/2 Double Coil      **P:** 5/3 Double coil center pressure type



**C:** 5/3 Double coil center close type



**4. Manual Operation**

**Blank** Press the lock button then turn

**5. Thread type**

- Blank: G
- R: RC
- N: NPT

**6. Voltage Type**

- Z: DC24V
- Y: DC12V

**7. Wire Lead Type**

- L: Vertical
- M: Parallel



T: Terminal Type



**8. Blank:** With indicator light, surge and voltage protection

**Q:** With indicator light, no surge and voltage protection

**V:** No indicator light, surge and voltage protection

**W:** No indicator light, with surge and voltage protection

**9. Wire Length**

**Blank :** 300mm

**F :** mm Customized

**Order Code for Manifold**

<u>Series</u>	<u>Model</u>
KS3	KS3M-□*V
KS5	KS5M-□*V
KS7	KS7M-□*V

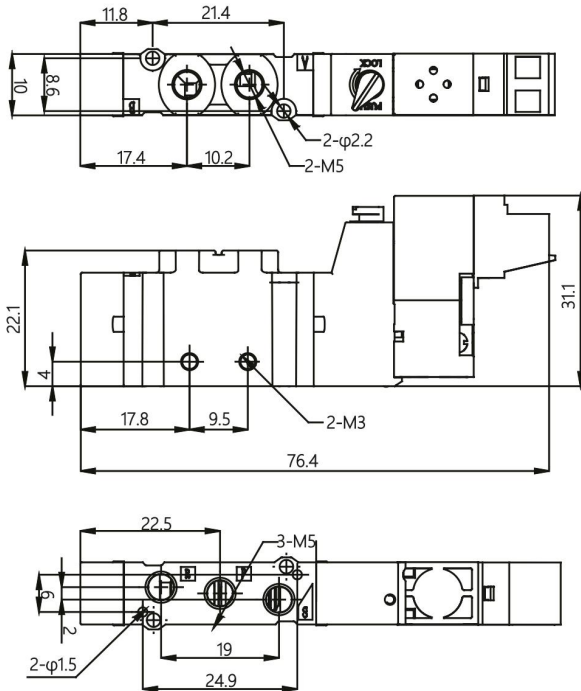
**Order Code for Manifold Blanking Plate**

<u>Series</u>	<u>Model</u>
KS3M	BKS3M
KS5M	BKS5M
KS7M	BKS7M

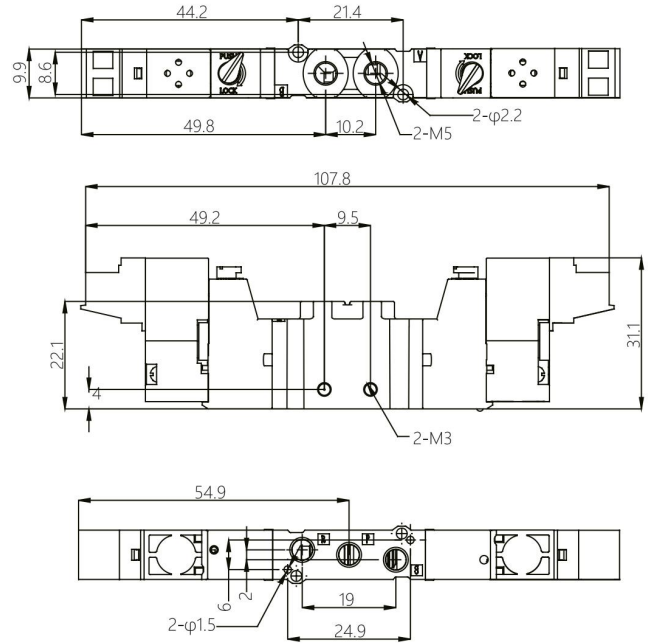
\*□ - Number of Valve Mountings available upto 20 Valve

### Dimensions of KS3 Valve

**KS3-S 2 positions single coil thread type**

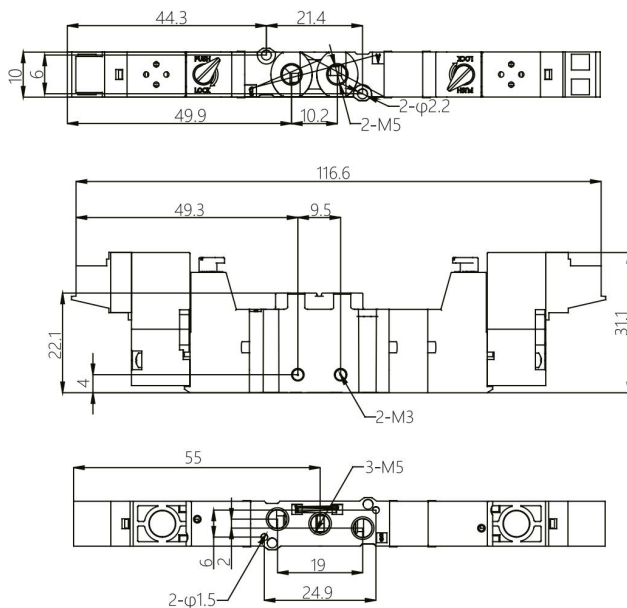


**KS3-D 2 positions double coil thread type**



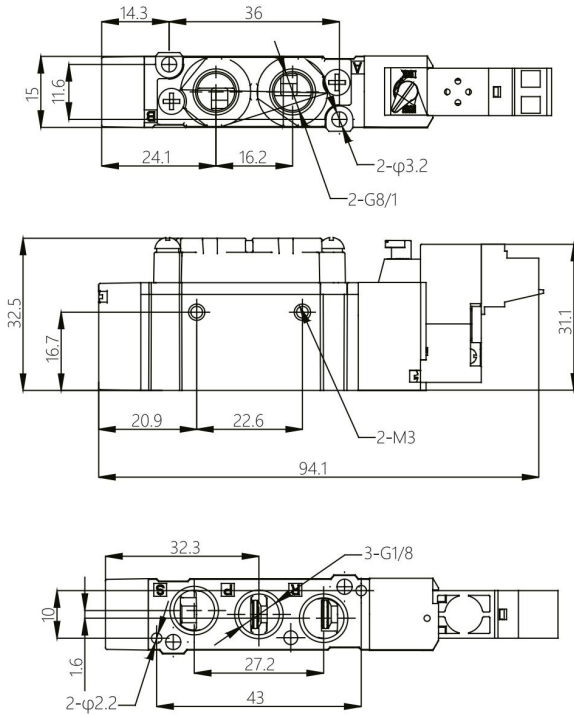
**3 positions center close type, center exhaust type, center pressure type**

Thread Type **KS3-C/E/P**

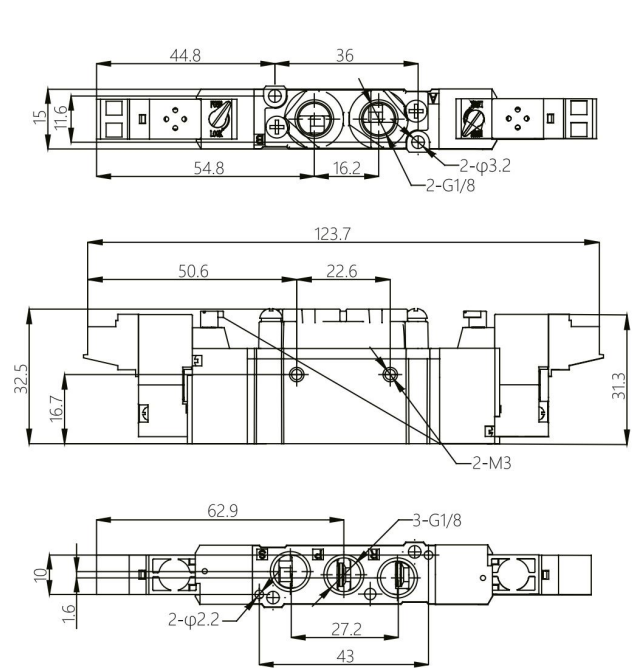


### Dimensions of KS5 Valve

**KS5-S 2 positions single coil thread type**

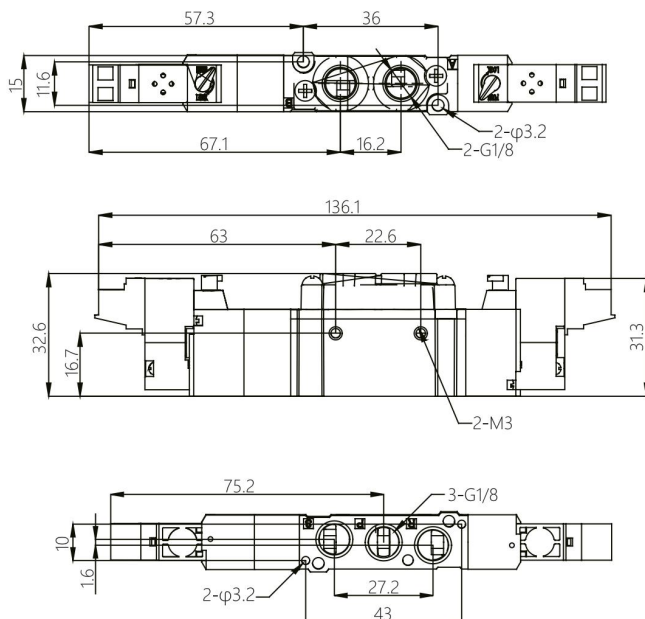


**KS5-D 2 positions double coil thread type**



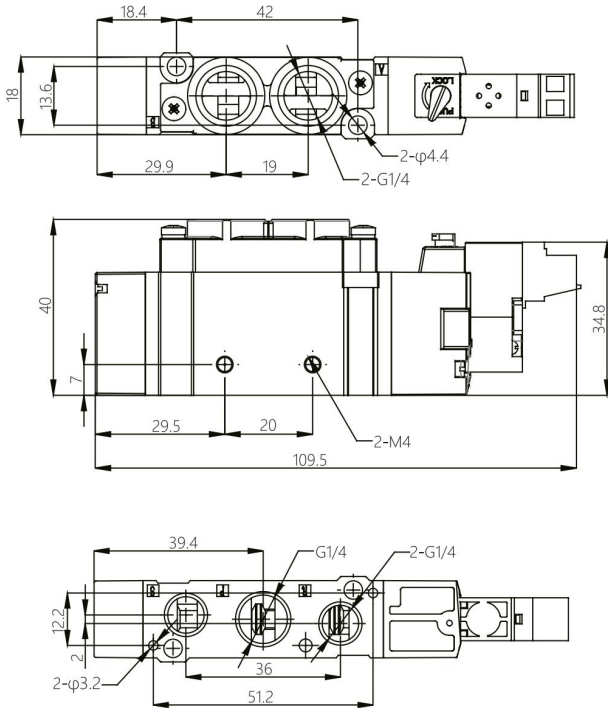
**3 positions center close type, center exhaust type, center pressure type**

Thread Type **KS5-C/E/P**

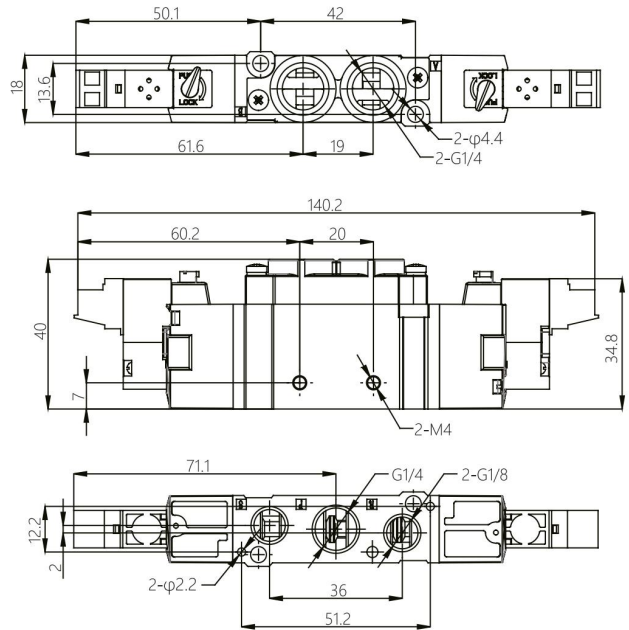


### Dimensions of KS7 Valve

**KS7-S 2 positions single coil thread type**

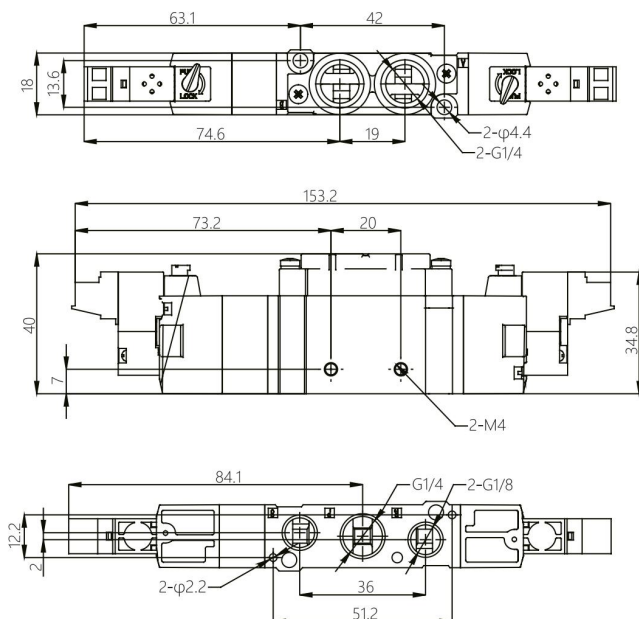


**KS7-D 2 positions double coil thread type**

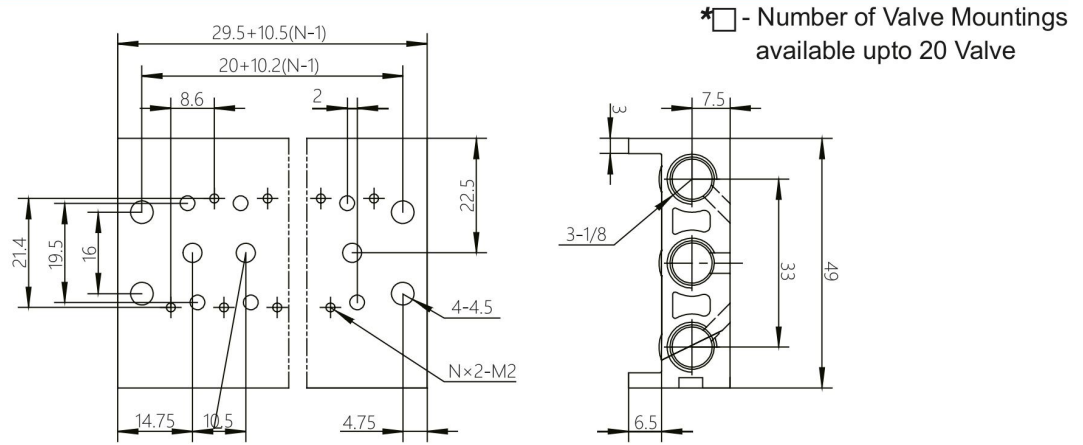


**3 positions center close type, center exhaust type, center pressure type**

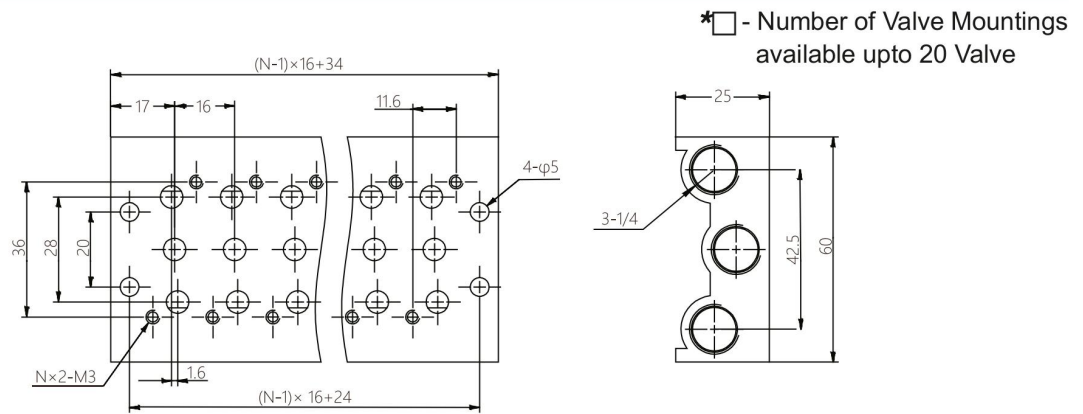
Thread Type **KS7-C/E/P**



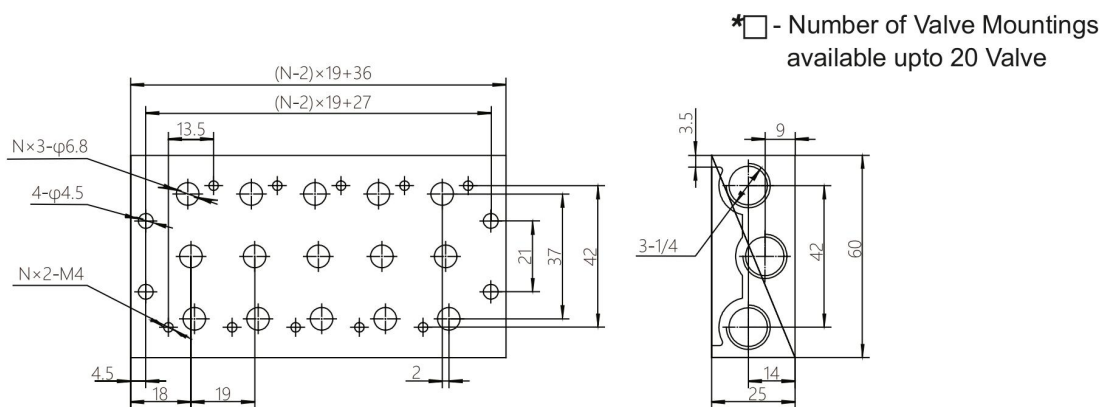
### KS3 Series Manifold **KS3M-□\*V**



### KS5 Series Manifold **KS5M-□\*V**



### KS7 Series Manifold **KS7M-□\*V**

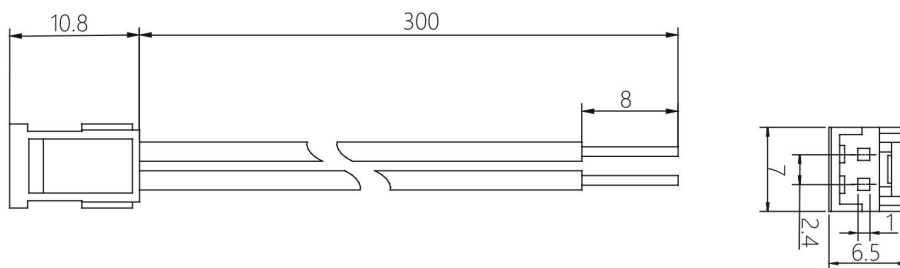


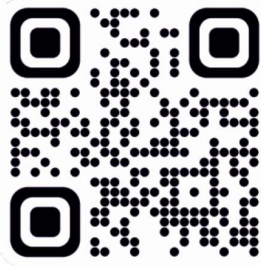
**Order Code for Manifold Blanking Plate**

<u>Series</u>	<u>Model</u>
KS3M	BKS3M
KS5M	BKS5M
KS7M	BKS7M

***Vertical / Parallel Connector Cable***

---





Contact us for more details

+91 9053-888-011

+91 9053-888-013

[www.katixpneumatic.com](http://www.katixpneumatic.com)

---

# KATIX<sup>®</sup>

---

**KATIX PNEUMATIC INDIA PVT. LTD.**

Plot No.- 198, Sector - 9, HSIIDC  
IMT Bawal, Haryana - 123501, India

T: +91 9053-888-011,+91 9053-888-013

E: [info@katix.in](mailto:info@katix.in)

## **GLOBAL SALES NETWORK**

---

North India: [sales1@katix.in](mailto:sales1@katix.in)

East India: [sales2@katix.in](mailto:sales2@katix.in)

South India: [sales3@katix.in](mailto:sales3@katix.in)

West India: [sales4@katix.in](mailto:sales4@katix.in)