

Directional Control Solenoid Valve KZ Series (3/2)



KZ Series

KZ Series Solenoid Valve

Thread Size :- 1/8", 1/4", 3/8", 1/2" {Type: 3/2}

Operating Voltage:- AC 220V, AC 110V, DC 24V, DC 12V

Features:-

- Sliding column structure,
- Good sealing and sensitive response
- With Manual Lever ,easy to install and test
- Variety of standard voltages are available
valve group can be integrated with the base
to save installation space

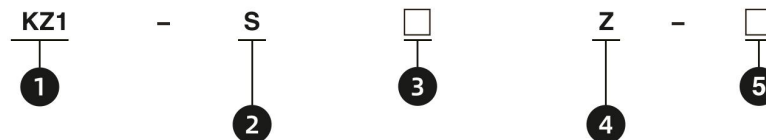
Functional Replacement of 3V100/200/300 Series

**KZ Series
Solenoid
Valve**





How To Order



1. Model Series

- 1 : KZ1 (Port Size:- 1/8")
- 2 : KZ2 (Port Size:- 1/4")
- 3 : KZ3 (Port Size:- 3/8")
- 4 : KZ4 (Port Size:- 1/2")

2. Switching Mode

- S : 3/2 Single Coil
- D : 3/2 Double Coil

3. Thread type

- Blank: G
- R: Rc
- N: NPT

4. Voltage Type

- X : AC 220V
- W : AC 110V
- Z : DC 24V
- Y : DC 12V

5. Initial State

- Blank : NC (Normally Close)
- A : NO (Normally Open)

Order Code for Manifold

Series	Model
KZ1	KZ1M- □*V
KZ2	KZ2M- □*V
KZ3	KZ3M- □*V
KZ4	KZ4M- □*V

*□ - Number of Valve Mountings available upto 16 Valve

Order Code for Manifold Blanking Plate

Series	Model
KZ1M	BKZ1
KZ2M	BKZ2
KZ3M	BKZ3
KZ4M	BKZ4

Order Code for Seperate Coil

Series	Model
KZ1	KV1L-□*
KZ2	KV2L-□*
KZ3	KV2L-□*
KZ4	KV2L-□*

□*: Voltage Type
 X : AC 220V
 W : AC 110V
 Z : DC 24V
 Y : DC 12V

Order Code for Seperate Connector

Series	Model
KZ1	KV1R-□*
KZ2	KV2R-□*
KZ3	KV2R-□*
KZ4	KV2R-□*

□*: Voltage Type
 AC : For AC Supply
 DC : For DC Supply

* Dimension of Coil and Connector for KZ2, KZ3, KZ4 are same

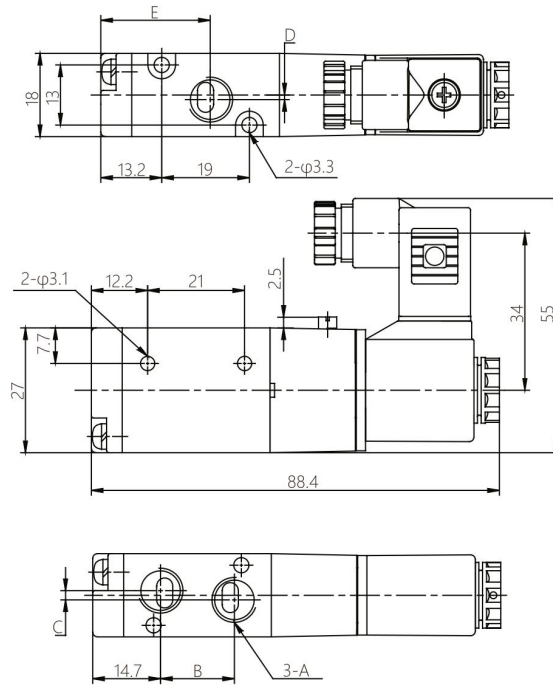
SPECIFICATION

3 Port Valve Specification						
Item No.	KZ1		KZ2		KZ3	KZ4
Working Pressure	0.15 -0.8 MPa					
Working Medium	Compressed Air (filtered by 40µm filter screen)					
Ambient Temp. °C	-10~60 (Non-Freezing)					
Connection Port	Input=Output=Exhaust=1/8		Input=Output=Exhaust=1/4		Input=Output=Exhaust=3/8	Input=Output=Exhaust=1/2
Working Type	Pilot type					
Max. Pressure MPa	1.2					
Max. Frequency Hz	5		5		5	3
Effective Cross-Sectional Area mm ²	12		16		30	50
Terminal	Leading Wire Or DIN type					
Coil Rated Voltage V	DC		12 / 24			
	AC		24 / 110 / 220			
Voltage Tolerance	DC ± 10% AC± 15%					
Power Consumption W/VA	Coil/ Voltage	AC12	DC24	AC24	AC110	AC220
	KZ1 Coil	2.8	2.8	3.0/ 5.0		
	KZ2 Coil	4.8	4.8	3.5 / 5.5		
Protection Class	IP65					

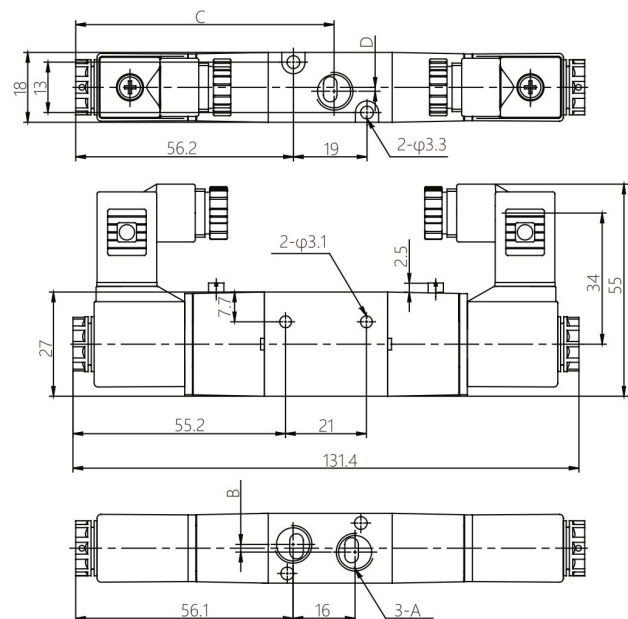
* Coil and Connector for KZ2, KZ3, KZ4 are same

KZ1 Dimensional Drawings

Model	A	B	C	D	E
KZ1-S	G1/8	16	2	1	23.7

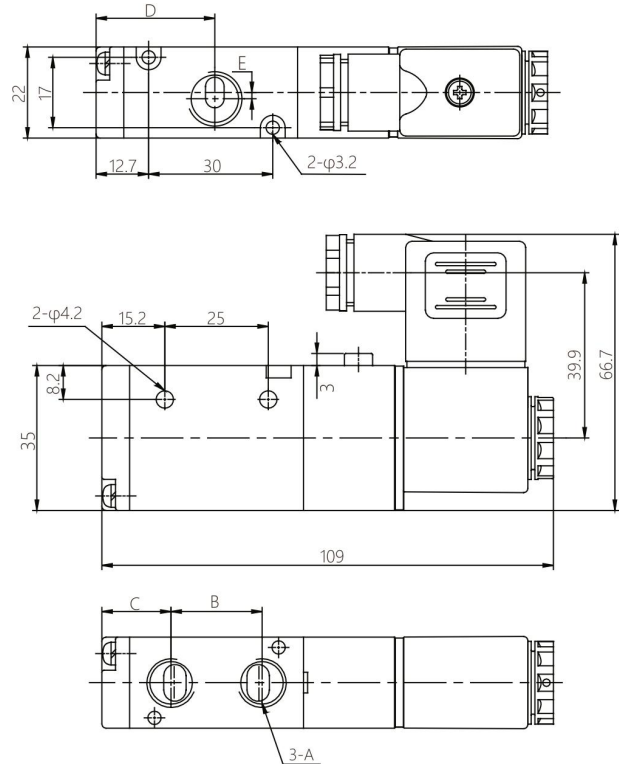


Model	A	B	C	D
KZ1-D	G1/8	2	65.7	1

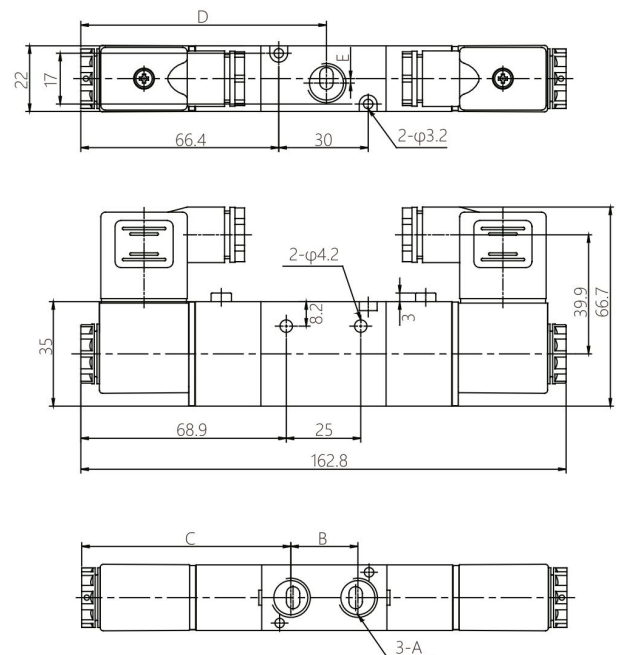


KZ2 Dimensional Drawings

Model	A	B	C	D	E
KZ2-S	G1/4	22.5	16.5	28.7	1.5

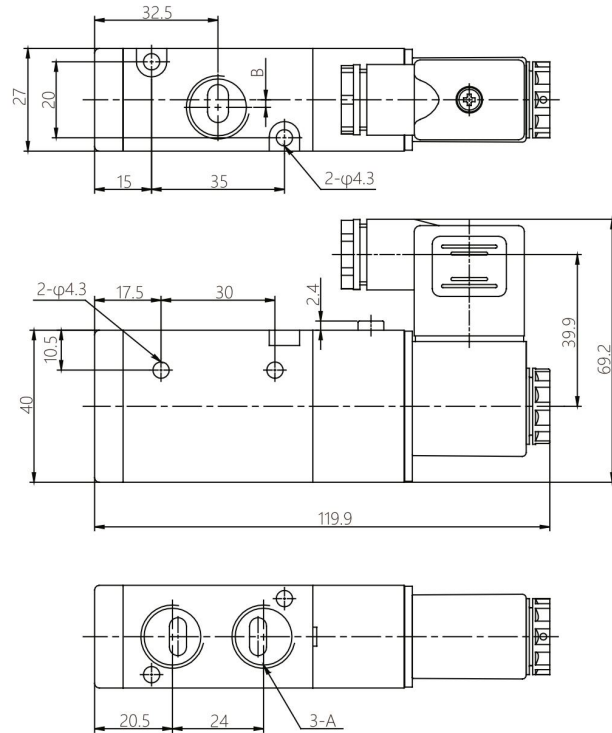


Model	A	B	C	D	E
KZ2-D	G1/4	22.5	72.4	82.4	1.5

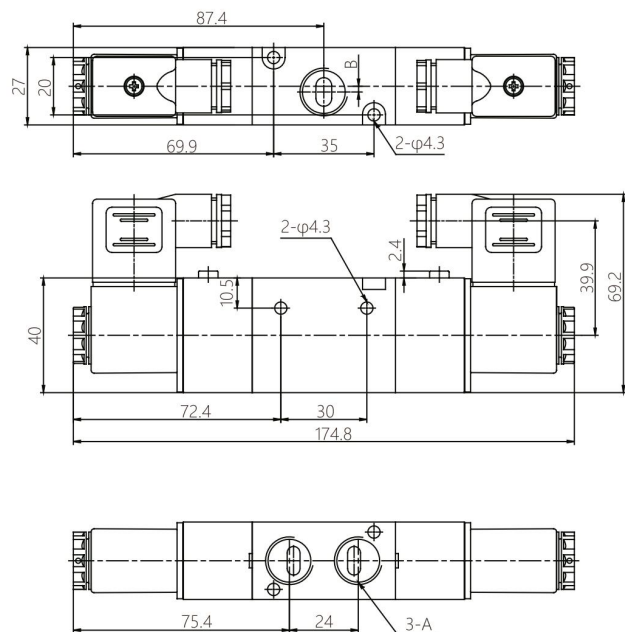


KZ3 Dimensional Drawings

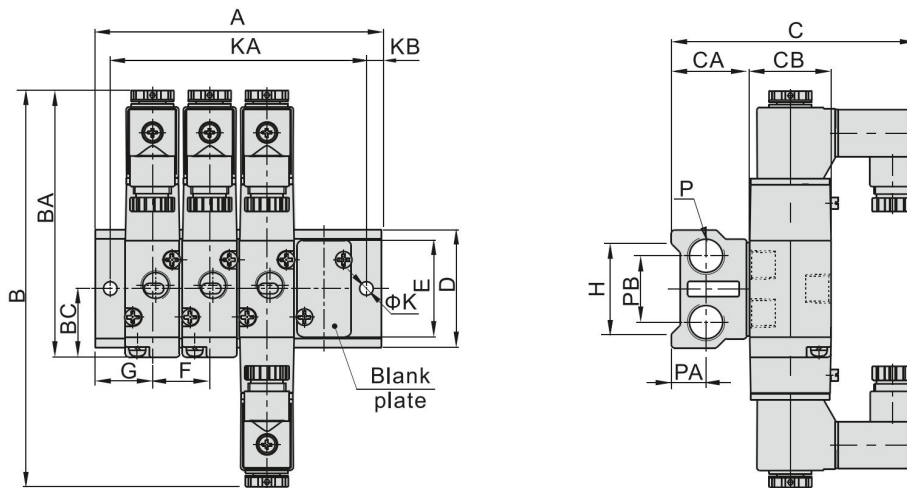
Model	A	B
KZ3-S	G3/8	2



Model	A	B
KZ3-D	G3/8	2



Manifold Dimensional Drawings



Model\Item	B	BA	BC	C	CA	CB	D	E	F	G	H	K	KB	P	PA	PB
KZ1M	131.5	88.5	22.7	81	26	27	39	32	19	19	30	4.5	5	1/4"	11.5	22
KZ2M	162.5	109	27.7	92.5	26	35	45	40	23	23	35	4.5	6	1/4"	11.5	25
KZ3M	175	120	32.5	99	30	40	52	47	28	27	42	4.5	6	3/8"	13.5	28

Model\Item	A															
	1V	2V	3V	4V	5V	6V	7V	8V	9V	10V	11V	12V	13V	14V	15V	16V
KZ1M	38	57	76	95	114	133	152	171	190	209	228	247	266	285	304	323
KZ2M	46	69	92	115	138	161	184	207	230	253	276	299	322	345	368	391
KZ3M	54	82	110	138	166	194	222	250	278	306	334	362	390	418	446	474

Model\Item	KA															
	1V	2V	3V	4V	5V	6V	7V	8V	9V	10V	11V	12V	13V	14V	15V	16V
KZ1M	28	47	66	85	104	123	142	161	180	199	218	237	256	275	294	313
KZ2M	34	57	80	103	126	149	172	195	218	241	264	287	310	333	356	379
KZ3M	42	70	98	126	154	182	210	238	266	294	322	350	378	406	434	462



Contact us for more details

+91 9053-888-011

+91 9053-888-013

www.katixpneumatic.com

KATIX[®]

KATIX PNEUMATIC INDIA PVT. LTD.

Plot No.- 198, Sector - 9, HSIIDC
IMT Bawal, Haryana - 123501, India

T: +91 9053-888-011,+91 9053-888-013

E: info@katix.in

GLOBAL SALES NETWORK

North India: sales1@katix.in

East India: sales2@katix.in

South India: sales3@katix.in

West India: sales4@katix.in