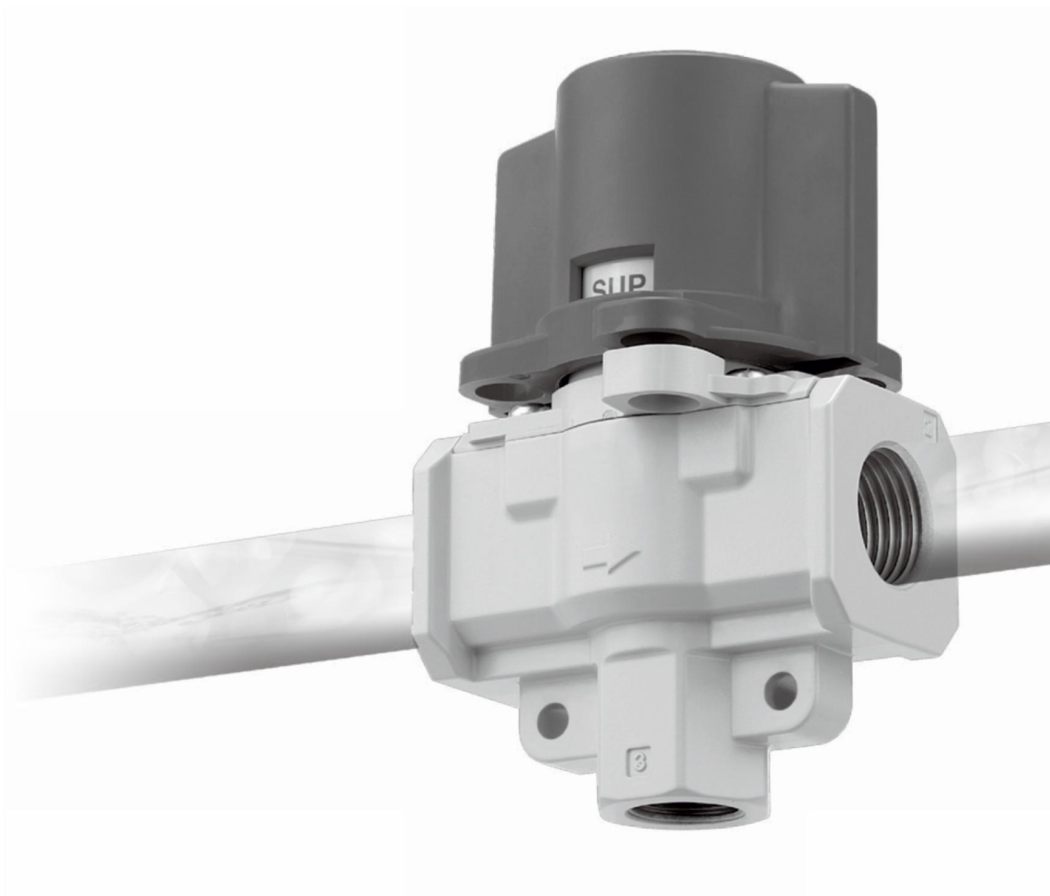


Q Series

Pressure Relief 3 Port Valve with Locking Holes

Body Size

20, 30, 40, 50



Q Series

Pressure Relief 3 Port Valve with Locking Holes

Standard: Conforming to OSHA Standard

Body Size: 20, 30, 40, 50

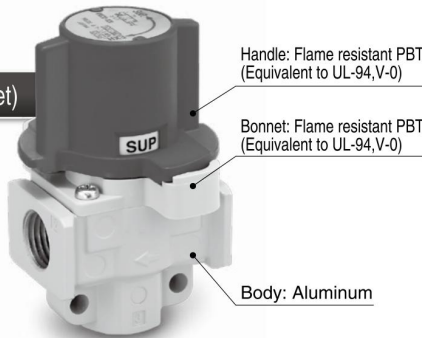
Lightweight

Resin handle and bonnet is standard.

Material: Resin (Handle, bonnet)

76 g

Q20 (Aluminum body is standard): 190 g



Handle: Flame resistant PBT (Equivalent to UL-94,V-0)

Bonnet: Flame resistant PBT (Equivalent to UL-94,V-0)

Body: Aluminum

Q20-□A

Safety Measure

Can prevent accidents caused by inadvertent air supply problems.

With the indicator window



The supply/exhaust status of the air flow can be verified at a glance in the indicator window.

SUP : Supply **EXH** : Exhaust

With locking holes

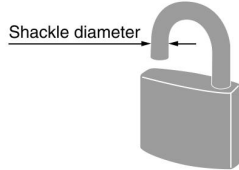


When in the exhaust position, the valve may be padlock secured. Prevents accidental start-ups while personnel are cleaning or servicing equipment.

OSHA standard (Occupational Safety and Health Administration Department of Labor)

For safety control, OSHA rule requires energy sources for certain equipment be turned off or disconnected and that the device either be locked or labelled with a warning tag.

* Recommended lock shackle diameter size: ø5 or more



Pressure Relief 3 Port Valve with Locking Holes

How to Order

Single action **Q** **40** - **04** **A** - **B**

Pressure relief 3 port valve

Body size

Symbol
20
30
40
50

Thread type

Nil	Rc
N	NPT
F	G

Port size

Symbol	Port size	Body size			
		20	30	40	50
01	1/8	●	—	—	—
02	1/4	●	●	●	—
03	3/8	—	●	●	—
04	1/2	—	—	●	—
06	3/4	—	—	●	●
10	1	—	—	—	●

Handle / Bonnet material

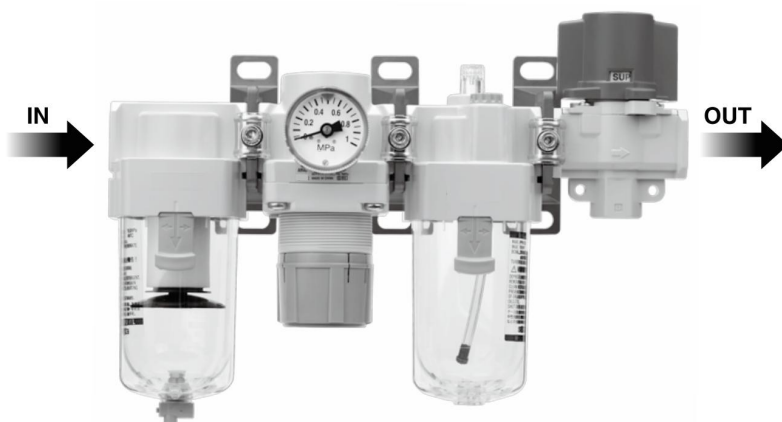
Symbol	Material
A	Flame resistant PBT

Options

Symbol	Description
Nil	—
B	With bracket

A spacer or spacer with bracket is required if the valve is combined with modular F.R.L. Please order it separately.

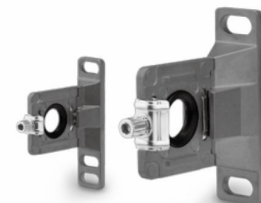
Pressure relief 3 port valve	Spacer part no.	Spacer with bracket part no.
Q20	Y200-A	Y200T-A
Q30	Y300-A	Y300T-A
Q40	Y400-A	Y400T-A
Q40-06	Y500-A	Y500T-A
Q50	Y600-A	Y600T-A



Spacer



Spacer with bracket

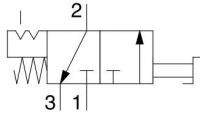


Q Series Pressure Relief 3 Port Valve with Locking Holes

KATIX



Symbol



OSHA standard (Occupational Safety and Health Administration Department of Labor)

For safety control, OSHA rule requires energy sources for certain equipment be turned off or disconnected and that the device either be locked or labelled with a warning tag.

Specifications

Standard specifications

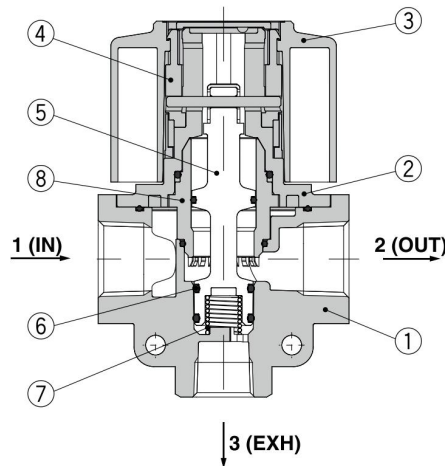
Model	Q20	Q30	Q40	Q40-06	Q50	
Fluid	Air					
Ambient and fluid temperature	-5 to 60°C (No freezing)					
Proof pressure	1.5 MPa					
Operating pressure range	0.1 to 1.0 MPa					
Handle switching angle	90°					
Paint color (Standard)	Handle: Red Body: White					
Weight	A (Handle, bonnet: Flame resistant PBT)	76 g	127 g	247 g	293 g	532 g

Flow rate characteristics

Model	Port size		Flow rate characteristics					
	IN, OUT	EXH	IN→OUT			OUT→EXH		
			C(dm ³ /s·bar)	b	Cv	C(dm ³ /s·bar)	b	Cv
Q20	1/8	1/8	2.4	0.43	0.65	2.5	0.39	0.69
	1/4		3.3	0.40	0.88	3.1	0.51	0.84
Q30	1/4	1/4	6.4	0.45	1.7	6.2	0.38	1.7
	3/8		8.3	0.41	2.3	7.0	0.41	1.9
Q40	1/4	3/8	7.3	0.49	2.0	8.5	0.35	2.3
	3/8		10.9	0.45	3.0	11.6	0.40	3.1
	1/2		14.2	0.39	3.8	13.3	0.43	3.6
Q40-06	3/4	1/2	18.3	0.31	5.0	17.7	0.37	4.8
Q50	3/4	1/2	23.8	0.41	6.4	21.8	0.41	5.9
	1		31.9	0.33	8.6	23.5	0.44	6.4

Construction

Q20 to 50-A



Component Parts

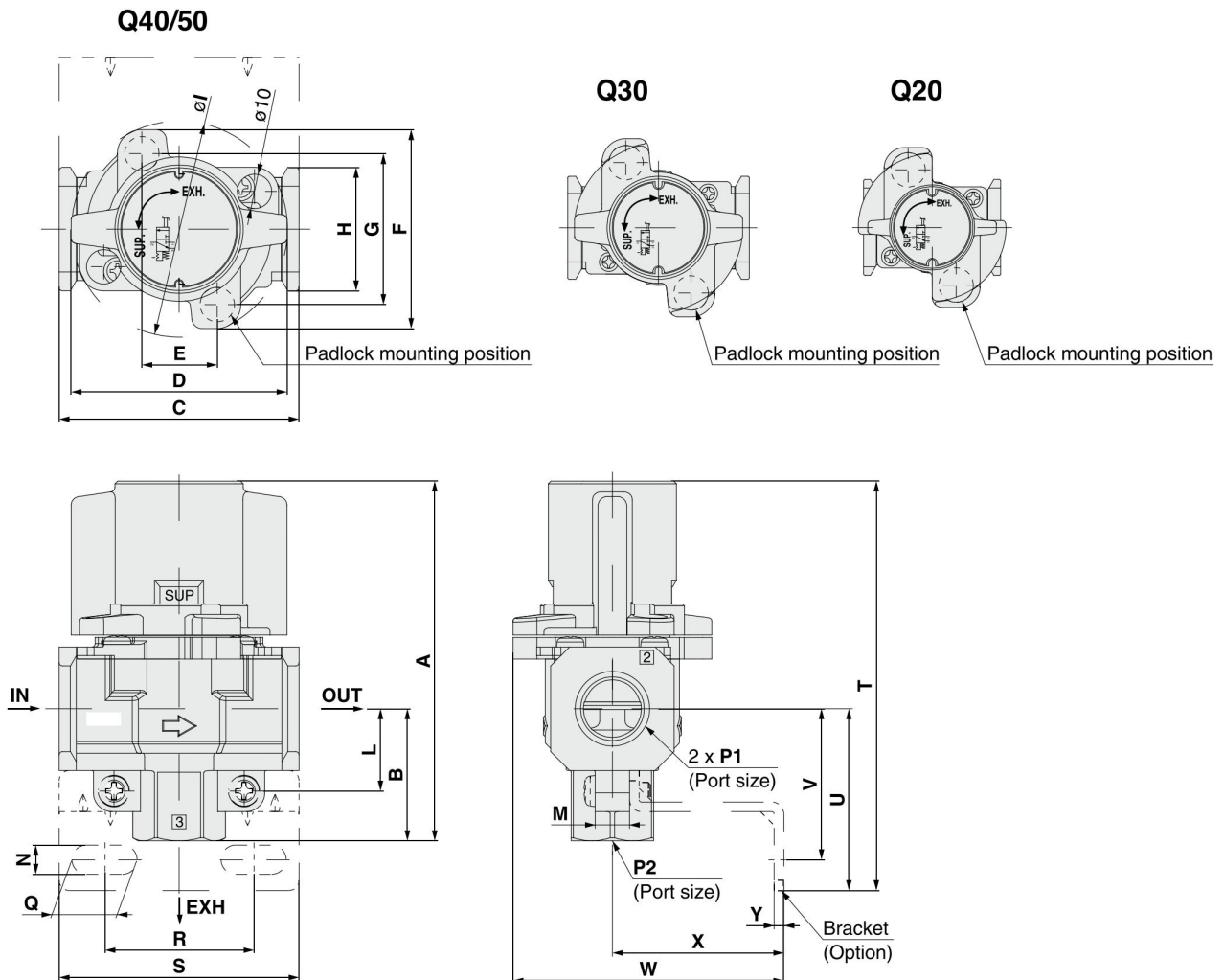
No.	Description	Material	Note
		Q20 to 50-A	
1	Body	ADC12	White
2	Bonnet	Flame resistant PBT (UL-94 Standard V-0 equivalent)	White
3	Handle	Flame resistant PBT (UL-94 Standard V-0 equivalent)	Red
4	Cam ring	POM	—
5	Spool	PBT	—
6	Spool O-ring	H-NBR	—
7	Spool spring	Stainless steel	—
8	Sleeve	POM	—

* The Q series cannot be disassembled. No repair parts available.

KATIX

Pressure Relief 3 Port Valve with Locking Holes

Dimensions



Dimensions

(mm)

Model	Standard specifications														
	P1	P2	A	B	C	D	E	F	G	H	I	J	K	L	M
Q20	1/8, 1/4	1/8	66.4	22.3	40	37.5	14	46.6	33.6	28	43	24	4.5	14.8	9
Q30	1/4, 3/8	1/4	80.3	29.4	53	49	19	52	38	30	49	30	4.5	19	9
Q40	1/4, 3/8, 1/2	3/8	104.9	38.5	70	63	22	58	44	36	63	38	5.5	24	10
Q40-06	3/4	1/2	110.4	42	75	63	22	58	44	44	63	43	5.5	26	10
Q50	3/4, 1	1/2	134.3	53	90	76	26	76	61	53	81	50	6.5	31	12

Model	Options specifications									
	With bracket									
	N	Q	R	S	T	U	V	W	X	Y
Q20	5.4	8.4	27	40	75.4	31.3	25.3	53.3	30	2.3
Q30	6.5	10	36.5	53	90.9	40	33	67	41	2.3
Q40	8.5	19	43.5	70	119.4	53	44	79	50	2.8
Q40-06	8.5	19	43.5	70	123.4	55	46	79	50	2.8
Q50	11	27.5	49.5	90	152.3	71	60	108	70	3.2



Contact us for more details

+91 9053-888-011

www.katixpneumatic.com

KATIX[®]

KATIX PNEUMATIC INDIA PVT. LTD.

Plot No.- 198, Sector - 9, HSIIDC
IMT Bawal, Haryana - 123501, India

T: +91 9053-888-011

E: info@katix.in