

Rotary One Touch Fitting RS / RE Series

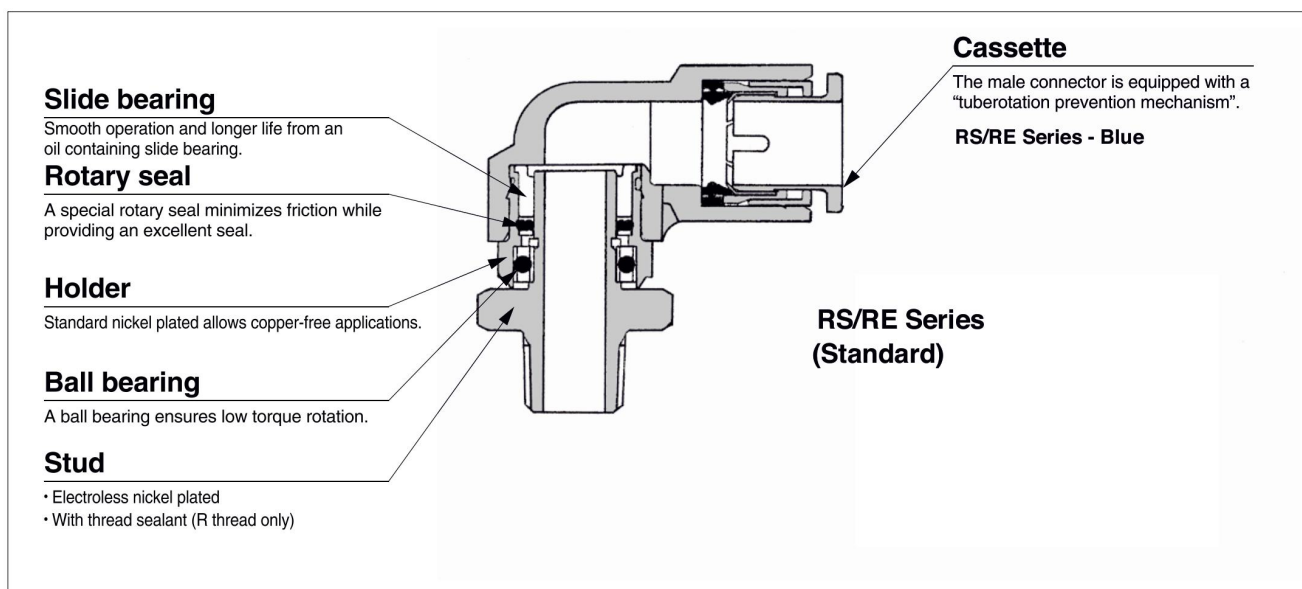


RS/RE Series

Rotary One Touch Fitting

Port Size: M5, M6, 1/8", 1/4", 3/8", 1/2"

Compatible Tubing: 4, 6, 8, 10, 12 mm

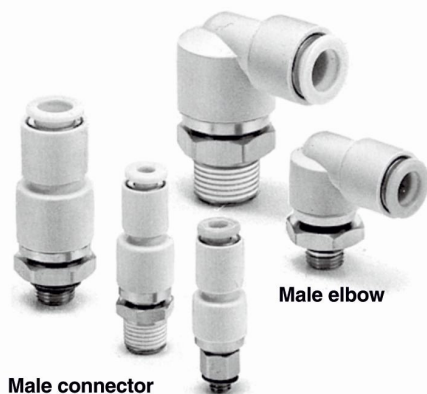


Low torque rotation type Rotary One-touch fittings

Applicable to use for oscillating and rotating sections in robots.

Brass parts are electroless nickel plated.

Sealant is standard.



Applicable Tubing

Tubing material	FEP, PFA, Nylon, Soft nylon, Polyurethane
Tubing O.D.	ø4, ø6, ø8, ø10, ø12

Specifications

Fluid	Air
Operating pressure range ⁽¹⁾	-100 kPa to 1 MPa
Proof pressure	3 MPa
Ambient and fluid temperature	-5 to 60°C (No freezing)
Thread	JIS B 0203 (Taper thread for piping), JIS B 0205 (Metric coarse thread)
Seal on the threads (Standard)	With thread sealant
Brass parts surface treatment (Standard)	Electroless nickel plated

Note 1) Please avoid using in a vacuum holding application such as a leak tester, since there is leakage. Also, when using in a vacuum, grease may enter the inside due to the nature of its construction.

Rotating Torque/Allowable Number of Rotations

Applicable tubing O.D.	ø4	ø6	ø8	ø10	ø12
Rotating torque (N·m) ⁽²⁾	0.006	0.012	0.014	0.020	0.022
Allowable number of rotations(S ⁻¹) ⁽³⁾	RS/RE Series 8.4	8.4	6.7	5	4.2

Note 2) Rotating torque under pressure 0.5 MPa
Note 3) Number of rotations per second

Principal Parts Material

Principal parts	RS/RE Series
Body	PBT
Stud, Holder, Guide	C3604 (Electroless nickel plated), Stainless steel 304
Chuck, Retainer	Stainless steel (Stainless steel 304)
Collet, Release button, Retaining ring	Polyacetal
O-ring, Packing	NBR
Rotary seal	NBR
Slide bearing	Oil-containing polyacetal
Scraper	—
Ball bearing	Bearing steel
Gasket	Stainless steel 304, NBR



Note 4) Martensitic stainless steel

RS/RE Series Rotary One Touch Fitting

KATIX

Size Available as per Tubing OD

RS/RE Series

Model	Connection thread	Applicable tubing O.D. (mm)				
		ø4	ø6	ø8	ø10	ø12
Male connector RS 	M5 x 0.8	●	●			
	M6 x 1	●	●			
	R 1/8	●	●	●		
	R 1/4		●	●	●	
	R 3/8			●	●	●
	R 1/2				●	●
Male elbow RE 	M5 x 0.8	●	●			
	M6 x 1	●	●			
	R 1/8	●	●	●		
	R 1/4		●	●	●	
	R 3/8			●	●	●
	R 1/2				●	●

RS/RE Series Rotary One Touch Fitting

KATIX

Male Connector : RS Series

<M5, M6>



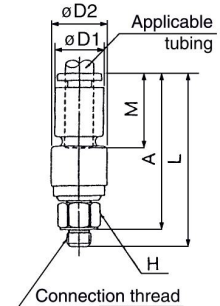
<R>



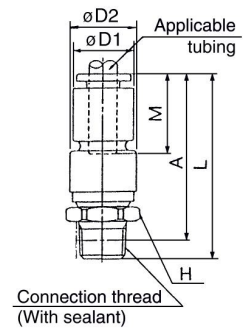
Applicable tubing O.D. (mm)	Connection thread R M	Model	H (width across flats)	D1	D2	L	A *		M	Min. port size	Effective area (mm ²)		Weight (g)	
							Nylon	Urethane			Nylon	Urethane		
4	M5 x 0.8	RS 04-M5	8	10.4	12	36.5	33	16	2.5	4.0	4.0	9		
	M6 x 1	RS 04-M6											37	14
	1/8	RS 04-01	37.1				34							
6	M5 x 0.8	RS 06-M5	8	12.8	14	37.5	33.5	17	4	10.4	10.4	12		
	M6 x 1	RS 06-M6											38	34
	1/8	RS 06-01	38.6			35.5	17							
	1/4	RS 06-02	42			36.5	23							
8	1/8	RS 08-01	14	15.2	17	43.1	40	18.5	6	26.1	18.0	23		
	1/4	RS 08-02										46.5	41	29
	3/8	RS 08-03										46.9	41.5	37
10	1/4	RS 10-02	22	18.5	22	53.5	48	21	7	36.3	29.5	55		
	3/8	RS 10-03										53.9	48.5	63
	1/2	RS 10-04										56.6	49.5	81
12	3/8	RS 12-03	24	20.9	24	55.9	50.5	22	8	46.1	46.1	75		
	1/2	RS 12-04										59.1	52	92

* Reference dimensions after R thread installation.
* M5 & M6 Thread with face seal and all other threads with Sealent.

<M5, M6>



<R>



Male Elbow : RE Series

<M5, M6>



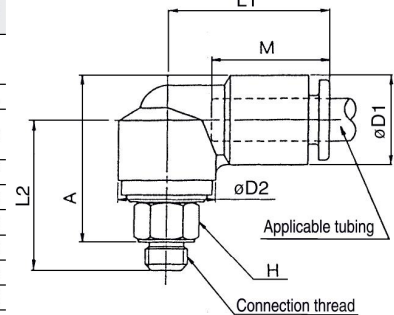
<R>



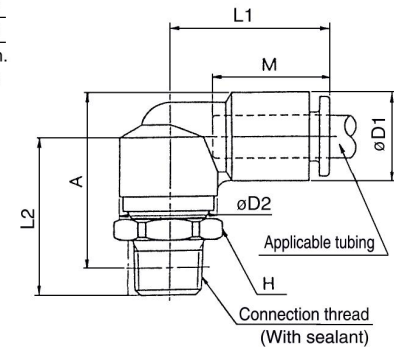
Applicable tubing O.D. (mm)	Connection thread R M	Model	H (width across flats)	D1	D2	L1	L2	A *		M	Min. port size	Effective area (mm ²)		Weight (g)	
								Nylon	Urethane			Nylon	Urethane		
4	M5 x 0.8	RE04-M5	8	10.4	12	21	20.5	22	16	2.5	3.5	3.5	9		
	M6 x 1	RE04-M6												21	23.5
	1/8	RE04-01	21.1				23.5								
6	M5 x 0.8	RE06-M5	8	12.8	14	23	21	23.5	17	4	8.6	8.6	12		
	M6 x 1	RE06-M6												21.5	24
	1/8	RE06-01	22.1				25.5	17							
	1/4	RE06-02	25.5				26.5	23							
8	1/8	RE08-01	14	15.2	17	26	25.6	30	18.5	6	21.6	14.9	23		
	1/4	RE08-02											29	31	29
	3/8	RE08-03											29.9	32	38
10	1/4	RE10-02	22	18.5	22	31.5	33.5	37.5	21	7	30.5	25.0	56		
	3/8	RE10-03											33.9	38	64
	1/2	RE10-04											37.1	39.5	82
12	3/8	RE12-03	24	20.9	24	34	35.4	40.5	22	8	35.1	35.1	76		
	1/2	RE12-04											38.6	42	93

* Reference dimensions after R thread installation.
* M5 & M6 Thread with face seal and all other threads with Sealent.

<M5, M6>



<R>



KATIX



Contact us for more details

+91 9053-888-011

+91 9053-888-013

www.katixpneumatic.com

KATIX[®]

KATIX PNEUMATIC INDIA PVT. LTD.

Plot No.- 198, Sector - 9, HSIIDC
IMT Bawal, Haryana - 123501, India

T: +91 9053-888-011,+91 9053-888-013

E: info@katix.in

GLOBAL SALES NETWORK

North India: sales1@katix.in

East India: sales2@katix.in

South India: sales3@katix.in

West India: sales4@katix.in