

# Air Preparation Unit S Series



## S Series

## AIR PREPARATION UNIT

Port Size: 1/4", 3/8", 1/2"

Inbuilt Pressure Gauge Type

Technical Specifications			
Connection Thread	1/4", 3/8", 1/2"	Filter, Filtration Level	5µm, 40µm
Compressed Air Quality	General Quality Dry Air	Max. Operating Pressure(MPa)	1
Drain Cock	Manual / Automatic Differential Pressure Type	Pressure Gauge	With Standard Pressure Gauge
Ambient Temperature Range( °C )	-5~ 70	Water Filter Cup Capacity(cc)	15cc, 45cc, 60cc
Oil Spray Cup Capacity(cc)	25cc, 60cc, 90cc	Pressure Regulation Range	0.15~0.85MPa
Thread Type	G	Max. Operating Pressure	1.2MPa
Withstanding Pressure	1.5MPa/215Psi	Recommended Operating Oil	ISO VG32 Equivalent Oil
Note		Weight(g)	Weight as per Model ( See Model Details.)

### 2 Piece FRL Unit



### 3 Piece FRL Unit



### Combine FR Unit



### Pressure Regulator



# S Series Air Preparation Unit

# KATIX

## How to Order

**Series S - C**      **02**      **□** - **□**      **M**

**Type**

FC	2 Pc FRL Unit
C	3 Pc FRL Unit
FR	Combined FR Unit
F	Filter Unit
R	Pressure Regulator
L	Lubricator Unit

**Port Size**

02	1/4"
03	3/8"
04	1/2"

\* Bowl Protection Metal Cover Available in 03 & 04 Size

**Filtration Accuracy**

Nil	40 µm
A	5 µm
B	0.01 µm

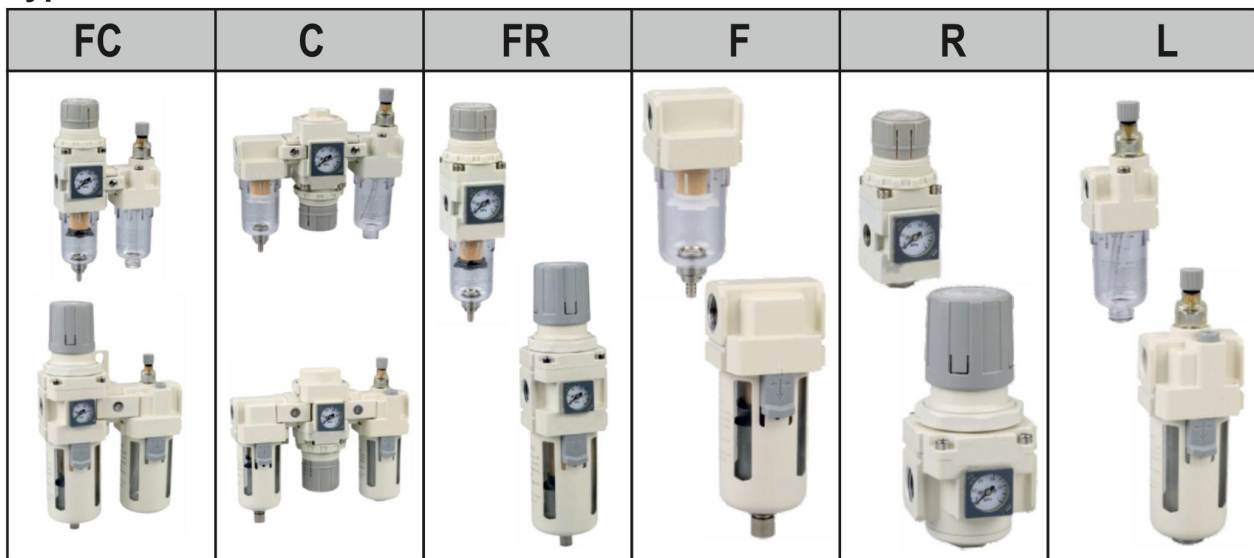
**Drain Type**

Nil	Manual Drain
D	Auto Drain

**Gauge Unit**

Nil	Bar / Psi
M	MPa
K	Kg/cm <sup>2</sup>

### Type



## Order Code for Pressure Gauge

**Series S - G**      **□**

**Type**

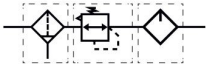
G	Pressure Gauge
---	----------------

**Gauge Unit**

Nil	Bar / Psi
M	MPa
K	Kg/cm <sup>2</sup>

## Dimensions of 3 Pc FRL Unit

Symbol



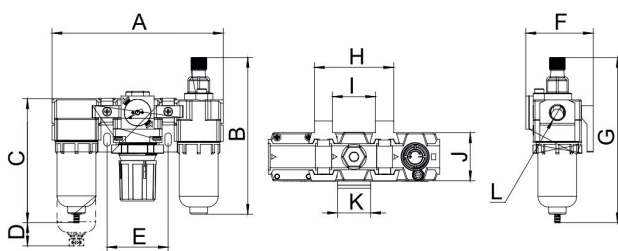
### Technical Specifications

Max. Input Pressure	1.2Mpa{12.24kgf/cm <sup>2</sup> } /174.04Psi
Max. Operating Pressure	1.0Mpa{10.2kgf/cm <sup>2</sup> } /145Psi
Temperature Range	-5~60°C
Filtration Accuracy	0.01μm, 5μm,40μm
Bowl Material	Polycarbonate
Bowl Guard	S-02( None) S-03/04YES)
Suggested Oil	ISO-VG32
Pressure Range	S-C02/03/04 :0.05~0.85Mpa( 0.51~8.7kgf/cm <sup>2</sup> )

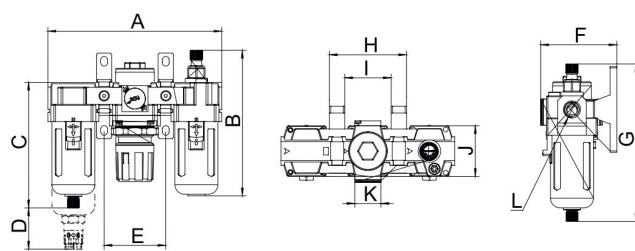
Model		Specification			(L/min) Rated Flow Rate
		Components			
Manual Drain	Auto Drain	Air Filter	Air Regulator	Air Lubricator	
S-C02	S-C02-D	S-F02	S-R02	S-L02	500
S-C03	S-C03-D	S-F03	S-R03	S-L03	2000
S-C04	S-C04-D	S-F04	S-R04	S-L04	4000

## Dimension

### S-C02



### S-C03/04

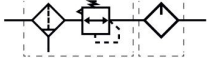


### Dimension in CM

Model	A	B	C	D	E	F	G	H	I	J	K	L	Rc(PT) Port Size
S-C02	14	12.5	10	1.9	5	5.76	13.5	6.5	3.5	4	2.7	BSP 1/4"	BSP 1/8"
S-C03	18	15.5	16	4.3	6.3	7.2	16	8	4.7	5.3	2.7	BSP 3/8"	BSP 1/8"
S-C04	24	18.5	16.5	4.4	8.5	8.7	19	10.5	6.3	7	2.7	BSP 1/2"	BSP 1/4"

## Dimensions of 2 Pc FRL Unit

Symbol



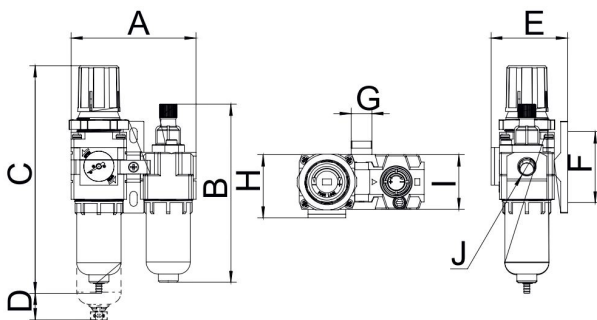
### Technical Specifications

Max. Input Pressure	1.2Mpa{12.24kgf/cm <sup>2</sup> } /174.04Psi
Max. Operating Pressure	1.0Mpa{10.2kgf/cm <sup>2</sup> } /145Psi
Temperature Range	-5~60°C
Filtration Accuracy	0.01μm, 5μm,40μm
Bowl Material	Polycarbonate
Bowl Guard	S-FC02 (None), S-FC03/04~4010 YES)
Suggested Oil	1 Turbine Oil No. 1 ISO-VG32
Pressure Range	S-FC02/03/04~4010:0.05~0.85Mpa( 0.51~8.7kgf/cm <sup>2</sup> )

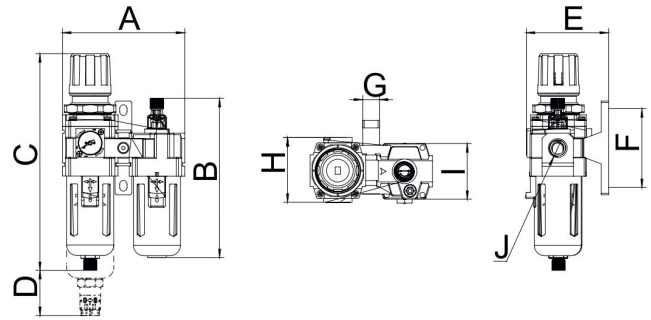
Model		Specification		
		Components		(L/min) Rated Flow Rate
Manual Drain	Auto Drain	Filter Regulator	Air Lubricator	
S-FC02	S-FC02-D	S-FR02	S-L02	500
S-FC03	S-FC03-D	S-FR03	S-L03	2000
S-FC04	S-FC04-D	S-FR04	S-L04	4000

## Dimension

### S-FC02



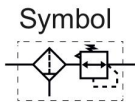
### S-FC03/04



### Dimension in CM

Model	A	B	C	D	E	F	G	H	I	J	Rc(PT) Port Size
S-FC02	9.1	12.5	16	1.9	5.76	4.8	1.5	5.11	4	BSP 1/4"	BSP 1/8"
S-FC03	11.7	15.5	20.3	4.3	7.2	7	1.5	6.3	5.3	BSP 3/8"	BSP 1/8"
S-FC04	15.5	18.5	25.5	4.4	8.7	8	2.2	7.5	7	BSP 1/2"	BSP 1/4"

## Dimensions of Combined FR Unit



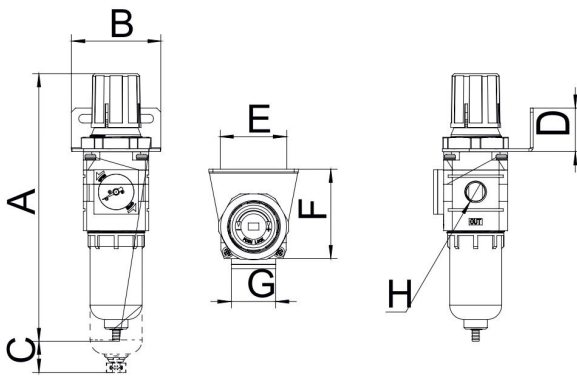
### Technical Specifications

Max. Input Pressure	1.2Mpa{12.24kgf/cm <sup>2</sup> } /174.04Psi
Max. Operating Pressure	1.0Mpa{10.2kgf/cm <sup>2</sup> } /145Psi
Temperature Range	-5~60°C
Filtration Accuracy	0.01μm, 5μm,40μm
Bowl Material	Polycarbonate
Bowl Guard	S-FR02( None), S-FR03/04~4000( YES)
Pressure Range	S-FR02/03/04~4000:0.05~0.85Mpa( 0.51~8.7kgf/cm <sup>2</sup> )

Model		Specification
Manual Drain	Auto Drain	( L/min) Rated Flow Rate
S-FR02	S-FR02-D	500
S-FR03	S-FR03-D	2000
S-FR04	S-FR04-D	4000

## Dimension

### S-FR02



### S-FR03/04

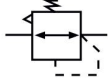


### Dimension in CM

Model	A	B	C	D	E	F	G	H	Rc(PT) Port Size
S-FR02	16	4	1.9	2.3	3.5	4.93	2.74	BSP 1/4"	BSP 1/8"
S-FR03	20.3	5.3	4.3	2.4	3.8	6.9	2.74	BSP 3/8"	BSP 1/8"
S-FR04	25.5	7	4.4	2.8	5.4	9.3	2.74	BSP 1/2"	BSP 1/4"

## Dimensions of Pressure Regulator

Symbol



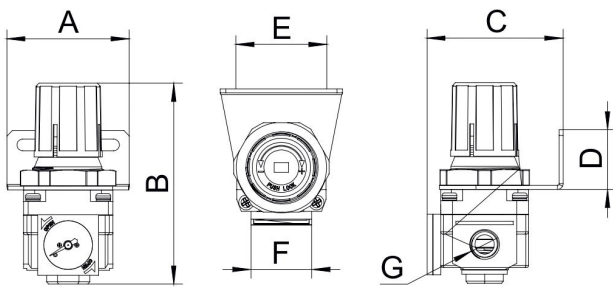
### Technical Specifications

Max. Input Pressure	1.2Mpa{12.24kgf/cm <sup>2</sup> } /174.04Psi
Max. Operating Pressure	1.0Mpa{10.2kgf/cm <sup>2</sup> } /145Psi
Temperature Range	-5~60°C
Pressure Range	S-R02/03/04~4000:0.05~0.85Mpa (0.51~8.7kgf/cm <sup>2</sup> )

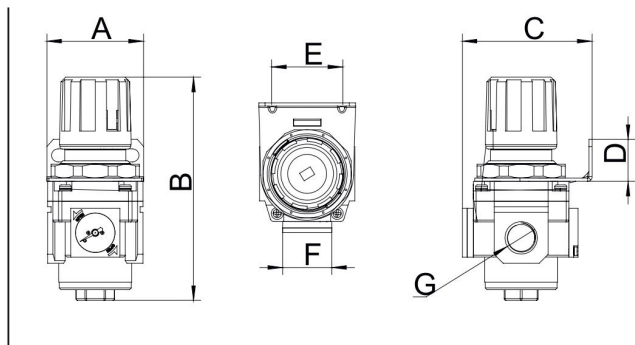
Model	Specification
S-R02	500
S-R03	2000
S-R04	4000

### Dimension

#### S-R02



#### S-R03/04



### Dimension in CM

Model	A	B	C	D	E	F	G	Rc(PT) Port Size
S-R02	4	9	6.17	2.3	3.5	2.74	BSP 1/4"	BSP 1/8"
S-R03	5.3	12	7.5	2.4	3.8	2.74	BSP 3/8"	BSP 1/8"
S-R04	7	15	9.5	2.8	5.4	2.74	BSP 1/2"	BSP 1/4"



Contact us for more details

**+91 9053-888-011**

[www.katixpneumatic.com](http://www.katixpneumatic.com)

---

**KATIX<sup>®</sup>**

---

**KATIX PNEUMATIC INDIA PVT. LTD.**

Plot No.- 198, Sector - 9, HSIIDC  
IMT Bawal, Haryana - 123501, India

T: +91 9053-888-011

E: [info@katix.in](mailto:info@katix.in)